

TAN 1HBF C

TANGRAM Tap Range Tangram 1 Hole Bath Filler Chrome



Specification

Product Type:	Bathroom Taps
Main Construction Material:	Brass; ABS; Stainless Steel
Mount Type:	Deck
Handle Type:	Lever
Connection Inlet:	1/2" BSP Flexible Tails
Connection Outlet:	M24 Cache Aerator
Number of Tap Holes:	1
Valve/Cartridge Type:	40mm Single Lever Cartridge
Plumbing System Requirements:	Suitable for all plumbing systems
Minimum Dynamic Pressure (bar):	1 bar
Maximum Dynamic Pressure (bar):	5 bar
Maximum Hot Water Temperature °C:	65°C
Maximum Static Pressure (bar):	10 bar
Flow Type:	Single
Isolation Included:	No

Features:

- Supplied with everything you need for a hassle-free installation, including flexible tails
- Install with confidence using a robust metal fixing nut that keeps your tap securely in place
- Experience smooth, reliable operation thanks to the long-life ceramic cartridge
- Enjoy lasting brilliance with our flawless, scratch-resistant chrome finish that's salt spray-tested for durability
- Built to last, backed by a lifetime parts and 1-year labour guarantee

Product Certifications:

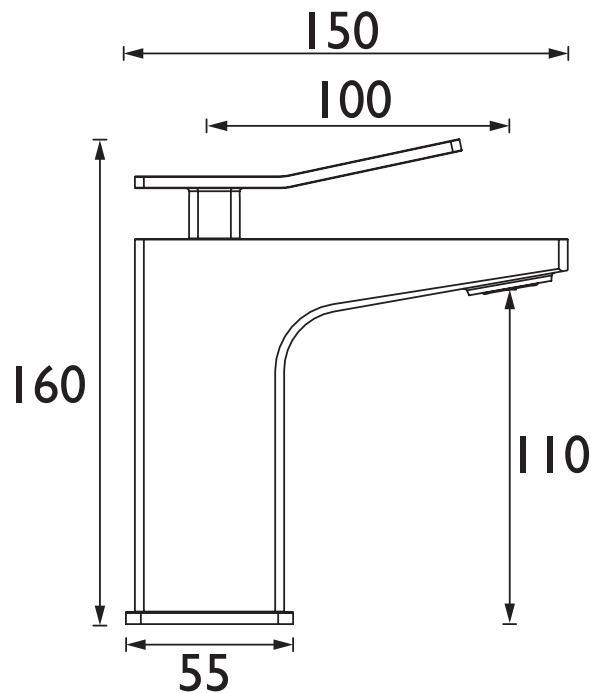


WRAS Certificate No: 2309901
WRAS Expiry Date: 30/09/2028

For more products, visit our website:
<http://www.bristan.com>



Dimensions (measurements in mm)



Flow Rates (l/min)

System Pressure (bar)	1	2	3	5
TAN 1HBF C (mixed)	15	21.1	25.2	34.2

TECHNICAL DATA SHEET



BRISTAN

D3