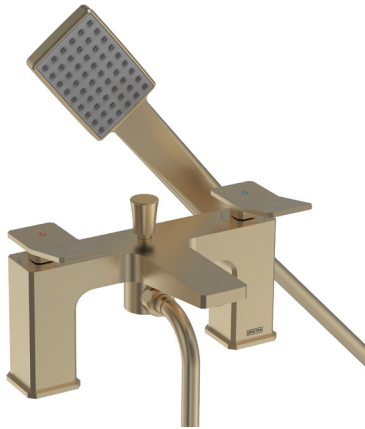


TAN BSM BB

TANGRAM Tap Range

Tangram Bath Shower Mixer



Features:

- Includes a handset that's easy to keep pristine, with rub-clean nozzles for effortless removal of limescale and debris
- Install with confidence using a robust metal fixing nut that keeps your tap securely in place
- Experience smooth, reliable operation thanks to the long-life ceramic disc valves
- Bring warmth to your space with the timeless brushed brass finish
- Built to last, backed by a lifetime parts and 1-year labour guarantee

Product Certifications:



WRAS Certificate No: 2312358
WRAS Expiry Date: 31/12/2028



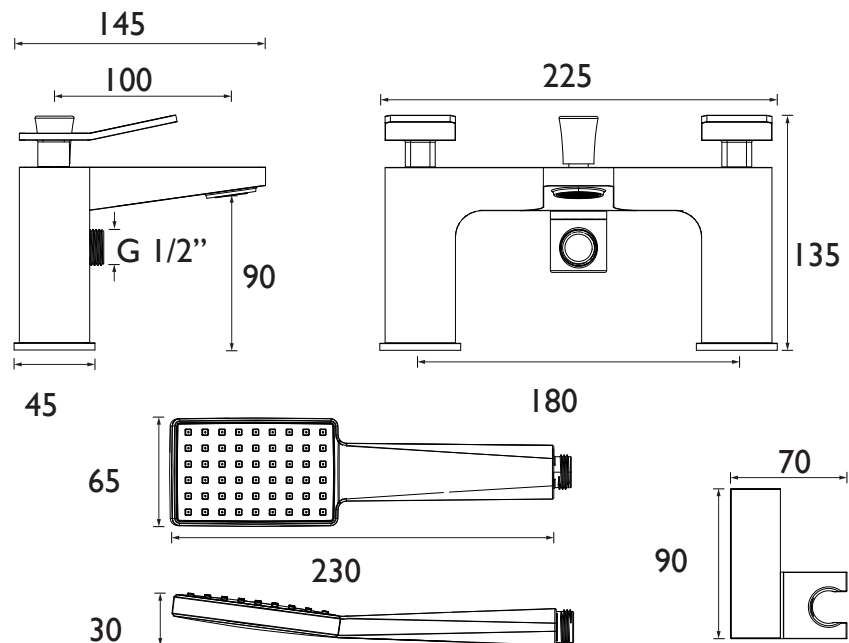
KIWA Certificate No: 2312721
KIWA Expiry Date: 12/12/2028



Specification

Product Type:	Bathroom Taps
Main Construction Material:	Brass
Mount Type:	Deck
Handle Type:	Lever
Connection Inlet:	3/4" BSP
Connection Outlet:	M24 Recessed Honeycomb Aerator
Number of Tap Holes:	2
Hose Length (mm):	1500
Valve/Cartridge Type:	3/4" Ceramic Disc Valve - 1/4 turn
Plumbing System Requirements:	Suitable for all plumbing systems
Minimum Dynamic Pressure (bar):	0.3 bar
Maximum Dynamic Pressure (bar):	5 bar
Maximum Hot Water Temperature °C:	60°C
Maximum Static Pressure (bar):	10 bar
Flow Type:	Single
Isolation Included:	No

Dimensions (measurements in mm)



Flow Rates (l/min)

System Pressure (bar)	0.3	0.5	1	2	3	5
Through Bath Filler (mixed)	11.3	15.2	23	34	41.9	54.1
Through Handset (mixed)	4	5.3	8.1	12	15.2	20.3

TECHNICAL DATA SHEET



BRISTAN

D4