

# JU PULLSNK C

## JULE Tap Range Jule Pullout Kitchen Sink Mixer Chrome



### Specification

<b>Product Type:</b>	Kitchen Taps
<b>Main Construction Material:</b>	ABS; Stainless Steel
<b>Mount Type:</b>	Deck
<b>Handle Type:</b>	Lever
<b>Connection Inlet:</b>	1/2" BSP Flexible Tails
<b>Connection Outlet:</b>	Spray Handset
<b>Number of Tap Holes:</b>	1
<b>Valve/Cartridge Type:</b>	35mm Eco-Start Cartridge
<b>Plumbing System Requirements:</b>	Suitable for high pressure systems only
<b>Minimum Dynamic Pressure (bar):</b>	1.5 bar
<b>Maximum Dynamic Pressure (bar):</b>	5 bar
<b>Maximum Hot Water Temperature °C:</b>	60°C
<b>Maximum Static Pressure (bar):</b>	10 bar
<b>Flow Type:</b>	Single
<b>Isolation Included:</b>	No

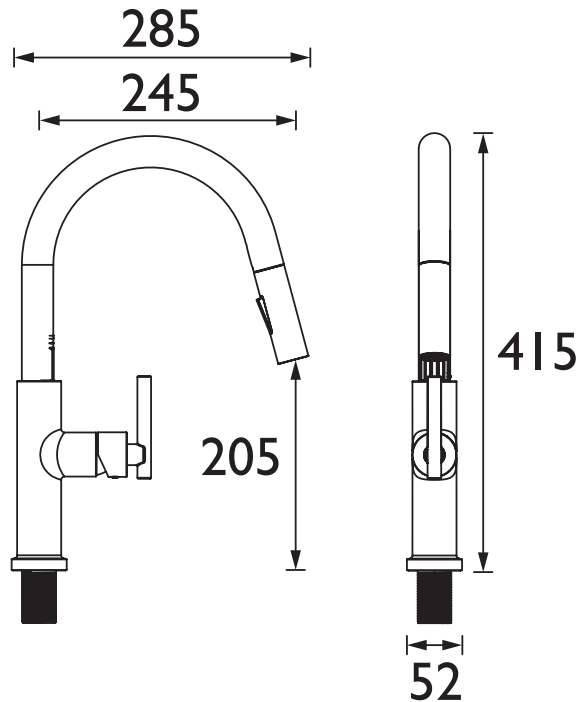
### Features:

- Reduce energy usage with our Eco Start technology - the tap runs cold when the lever is in the central position and only activates hot water when needed, helping cut unnecessary boiler use
- Take control with the convenient swivel spout and professional pull-down hose
- Supplied with everything you need for a hassle-free installation, including flexible tails and fixing kit
- Install with confidence, thanks to the high-quality metal fixings that keep your tap securely in place
- Experience smooth, reliable operation thanks to the long-life ceramic cartridge

### Product Certifications:



### Dimensions (measurements in mm)



### Flow Rates (l/min)

System Pressure (bar)	1.5	2	3	5
JU PULLSNK C (mixed)	4.7	5.3	6.6	8.7

TECHNICAL  
DATA  
SHEET



**BRISTAN**

D3