

MOL ES BAS BB

MOLIDA Tap Range Molida Eco Start Basin Mixer Brushed Brass



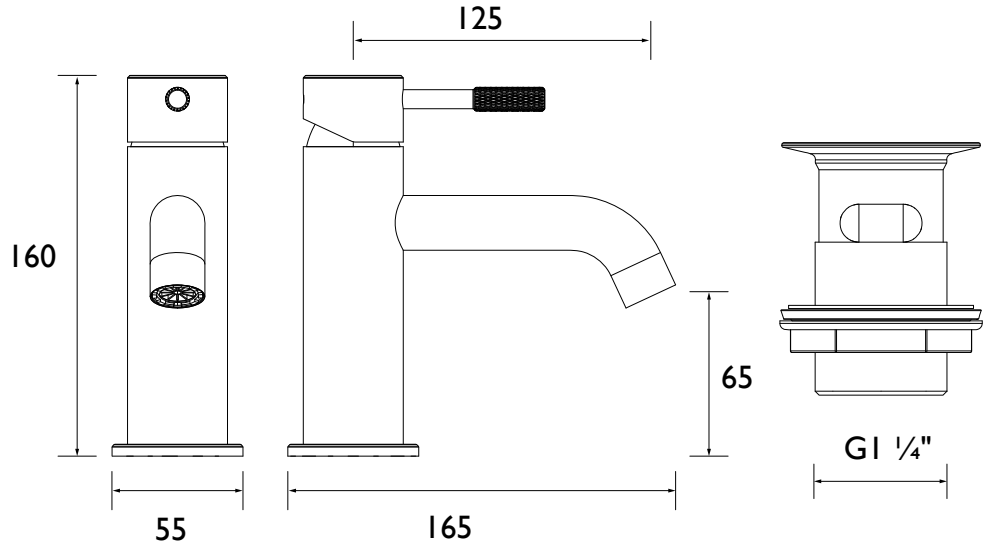
Specification

Product Type:	Bathroom Taps
Main Construction Material:	Brass; ABS; Stainless Steel
Mount Type:	Deck
Handle Type:	Lever
Connection Inlet:	1/2" BSP Flexible Tails
Connection Outlet:	M24 Housed Aerator
Number of Tap Holes:	1
Valve/Cartridge Type:	35mm Eco-Start Cartridge
Plumbing System Requirements:	Suitable for all plumbing systems
Minimum Dynamic Pressure (bar):	0.2 bar
Maximum Dynamic Pressure (bar):	5 bar
Maximum Hot Water Temperature °C:	60°C
Maximum Static Pressure (bar):	10 bar
Flow Type:	Single
Isolation Included:	No

Features:

- Reduce energy usage with our Eco Start technology - the tap runs cold when the lever is in the central position and only activates hot water when needed, helping cut unnecessary boiler use
- Save water without compromising performance thanks to the built-in 5L flow regulator.
- Supplied with everything you need for a hassle-free installation, including flexible tails and clicker waste
- Experience smooth, reliable operation thanks to the long-life ceramic cartridge
- Bring warmth to your space with the timeless brushed brass finish

Dimensions (measurements in mm)



Product Certifications:



WRAS Certificate No: 240403005
WRAS Expiry Date: 30/04/2029



Flow Rates (l/min)

System Pressure (bar)	0.2	0.5	1	2	3	5
MOL ES BAS BB (mixed)	2.2	3.5	4.2	4.7	4.7	5

TECHNICAL DATA SHEET



BRISTAN

D2