

# MOL ES BAS C

## MOLIDA Tap Range Molida Eco Start Basin Mixer Chrome



### Specification

Product Type:	Bathroom Taps
Main Construction Material:	Brass; ABS; Stainless Steel
Mount Type:	Deck
Handle Type:	Lever
Connection Inlet:	1/2" BSP Flexible Tails
Connection Outlet:	M24 Housed Aerator
Number of Tap Holes:	1
Valve/Cartridge Type:	35mm Eco-Start Cartridge
Plumbing System Requirements:	Suitable for all plumbing systems
Minimum Dynamic Pressure (bar):	0.2 bar
Maximum Dynamic Pressure (bar):	5 bar
Maximum Hot Water Temperature °C:	60°C
Maximum Static Pressure (bar):	10 bar
Flow Type:	Single
Isolation Included:	No

### Features:

- Reduce energy usage with our Eco Start technology - the tap runs cold when the lever is in the central position and only activates hot water when needed, helping cut unnecessary boiler use
- Save water without compromising performance thanks to the built-in 5L flow regulator.
- Supplied with everything you need for a hassle-free installation, including flexible tails and clicker waste
- Experience smooth, reliable operation thanks to the long-life ceramic cartridge
- Experience smooth, reliable operation thanks to the long-life ceramic cartridge

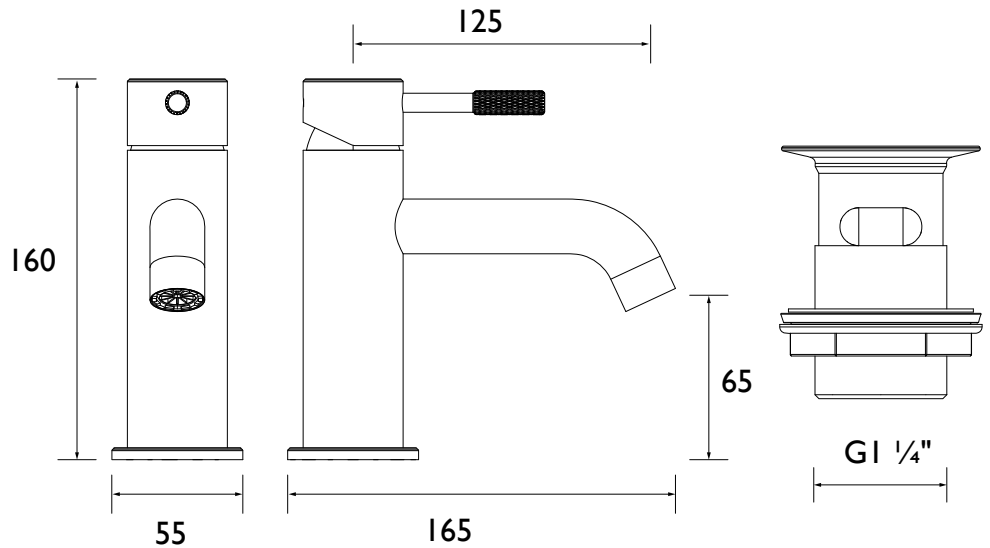
### Product Certifications:



WRAS Certificate No: 240403005  
WRAS Expiry Date: 30/04/2029



### Dimensions (measurements in mm)



### Flow Rates (l/min)

System Pressure (bar)	0.2	0.5	1	2	3	5
MOL ES BAS C (mixed)	2.2	3.5	4.2	4.7	4.7	5

## TECHNICAL DATA SHEET



# BRISTAN

D2