

MPL EFSNK BLK

MAPLE Tap Range Maple Easyfit Mono Sink Mixer Black



Features:

- Reduce energy usage with our Eco Start technology -the tap runs cold when the lever is in the central position and only activates hot water when needed, helping cut unnecessary boiler use
- Install your tap in minutes from above the sink, thanks to the innovative Top Fix Easyfit technology
- Easily repair, maintain or replace your kitchen tap using the two isolation valves that let you shut off the water supply at the base
- Supplied with everything you need for a hassle-free installation, including two Allen keys, isolation valves, Top Fix Easyfit base, and flexi tails
- Rinse and reach with ease using the convenient swivel spout

Product Certifications:



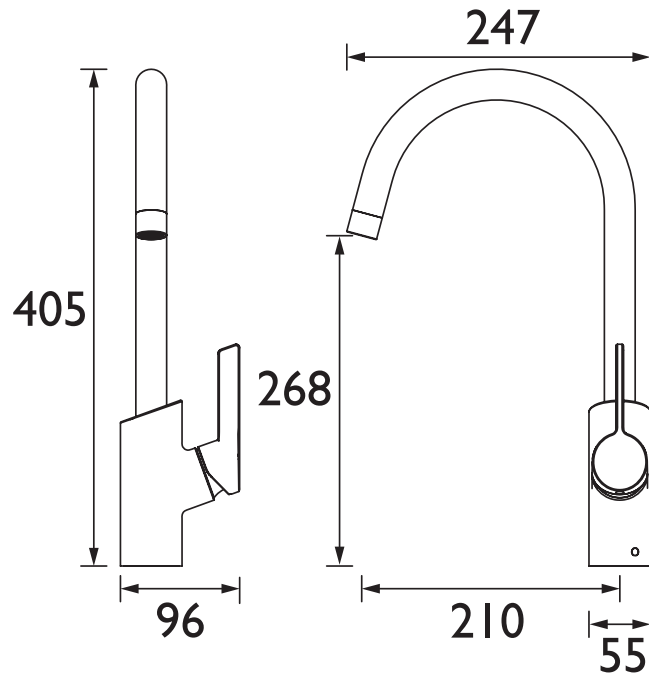
WRAS Certificate No: 240403008
WRAS Expiry Date: 30/04/2029



Specification

Product Type:	Kitchen Taps
Main Construction Material:	Brass
Mount Type:	Deck
Maximum Worktop Depth (mm):	35
Handle Type:	Lever
Connection Inlet:	1/2" BSP Flexible Tails with Isolation Valves
Connection Outlet:	Housed M22 8pm Flow Limited Aerator
Number of Tap Holes:	1
Valve/Cartridge Type:	35mm Eco-Click Cartridge
Plumbing System Requirements:	Suitable for all plumbing systems, ideally balanced
Minimum Dynamic Pressure (bar):	0.3 bar
Maximum Dynamic Pressure (bar):	5 bar
Maximum Hot Water Temperature °C:	60°C
Maximum Static Pressure (bar):	10 bar
Flow Type:	Single
Isolation Included:	Yes

Dimensions (measurements in mm)



Flow Rates (l/min)

System Pressure (bar)	0.3	0.5	1	2	3	5
MPL EFSNK BLK (mixed)	3	4.1	6	8.1	8.1	8.1

TECHNICAL DATA SHEET



BRISTAN

D4