

# PR PULLSNK C

## PROFILE + Tap Range

Profile Pullout Kitchen Sink Mixer Chrome



### Specification

<b>Product Type:</b>	Kitchen Taps
<b>Main Construction Material:</b>	Brass; ABS
<b>Mount Type:</b>	Deck
<b>Handle Type:</b>	Lever
<b>Connection Inlet:</b>	1/2" BSP Flexible Tails
<b>Connection Outlet:</b>	Spray Handset
<b>Number of Tap Holes:</b>	1
<b>Valve/Cartridge Type:</b>	35mm Single Lever Cartridge
<b>Plumbing System Requirements:</b>	Suitable for high pressure systems only
<b>Minimum Dynamic Pressure (bar):</b>	1.5 bar
<b>Maximum Dynamic Pressure (bar):</b>	5 bar
<b>Maximum Hot Water Temperature °C:</b>	60°C
<b>Maximum Static Pressure (bar):</b>	10 bar
<b>Flow Type:</b>	Single
<b>Isolation Included:</b>	No

### Features:

- Enjoy flexible reach with the swivel spout and extendable pull-out hose
- Supplied with everything you need for a hassle-free installation, including flexible tails and fixing kit
- Install with confidence, thanks to the high quality metal fixings that keep your tap securely in place
- Experience smooth, reliable operation thanks to the long-life ceramic cartridge
- Enjoy lasting brilliance with our flawless, scratch-resistant chrome finish that's salt spray tested for durability

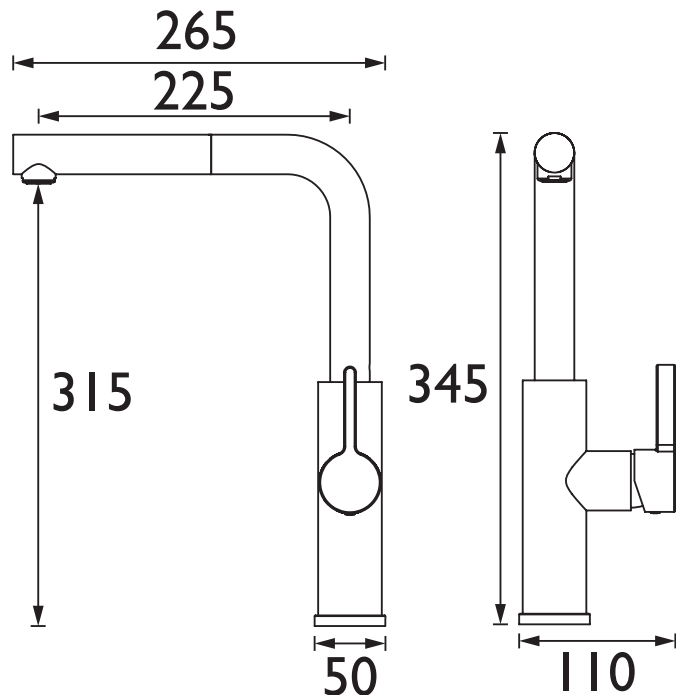
### Product Certifications:



For more products, visit our website:  
<http://www.bristan.com>



### Dimensions (measurements in mm)



### Flow Rates (l/min)

System Pressure (bar)	1.5	2	3	5
PR PULLSNK C (mixed)	4.1	4.6	5.8	7.5

TECHNICAL  
DATA  
SHEET



**BRISTAN**

D2