

SA PROSNK C

SABRE Tap Range Sabre Professional Kitchen Sink Mixer Chrome



Specification

Product Type:	Kitchen Taps
Main Construction Material:	ABS; Stainless Steel
Mount Type:	Deck
Handle Type:	Lever
Connection Inlet:	1/2" BSP Flexible Tails
Connection Outlet:	Spray Handset
Number of Tap Holes:	1
Valve/Cartridge Type:	35mm Eco-Start Cartridge
Plumbing System Requirements:	Suitable for high pressure systems only
Minimum Dynamic Pressure (bar):	1.5 bar
Maximum Dynamic Pressure (bar):	5 bar
Maximum Hot Water Temperature °C:	60°C
Maximum Static Pressure (bar):	10 bar
Flow Type:	Single
Isolation Included:	No

Features:

- Reduce energy usage with our Eco Start technology - the tap runs cold when the lever is in the central position and only activates hot water when needed, helping cut unnecessary boiler use
- Take control with the convenient swivel spout and professional pull-down hose
- Supplied with everything you need for a hassle-free installation, including flexible tails and fixing kit
- Install with confidence, thanks to the high-quality metal fixings that keep your tap securely in place
- Experience smooth, reliable operation thanks to the long-life ceramic cartridge

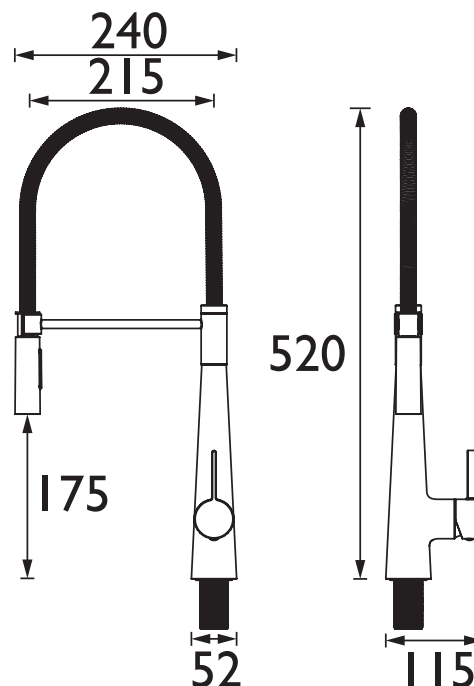
Product Certifications:



For more products, visit our website:
<http://www.bristan.com>



Dimensions (measurements in mm)



Flow Rates (l/min)

System Pressure (bar)	1.5	2	3	5
SA PROSNK C (mixed)	6.1	6.9	8.6	11.1

TECHNICAL DATA SHEET



BRISTAN

D2