

W BASIN10 C

Wastes Round Push Basin Waste Slotted Chrome



Specification

Contemporary or Traditional:	Contemporary
Main Construction Material:	Brass
Connection Inlet:	G1 1/4"
Waste Drainage Rate (litres per minute):	32.9
What's in the Box?:	1x Slotted Waste Body, 1x Clicker Mechanism, 3x Rubber Washers, 1x Metal Backnut

Features:

- Built to last with a solid brass construction for strength and durability
- Install with confidence using the robust metal back nut for added durability
- Enjoy lasting brilliance with our flawless, scratch-resistant chrome finish that's salt spray tested for durability
- Built to last, backed by a lifetime parts and 1-year labour guarantee

Product Certifications:

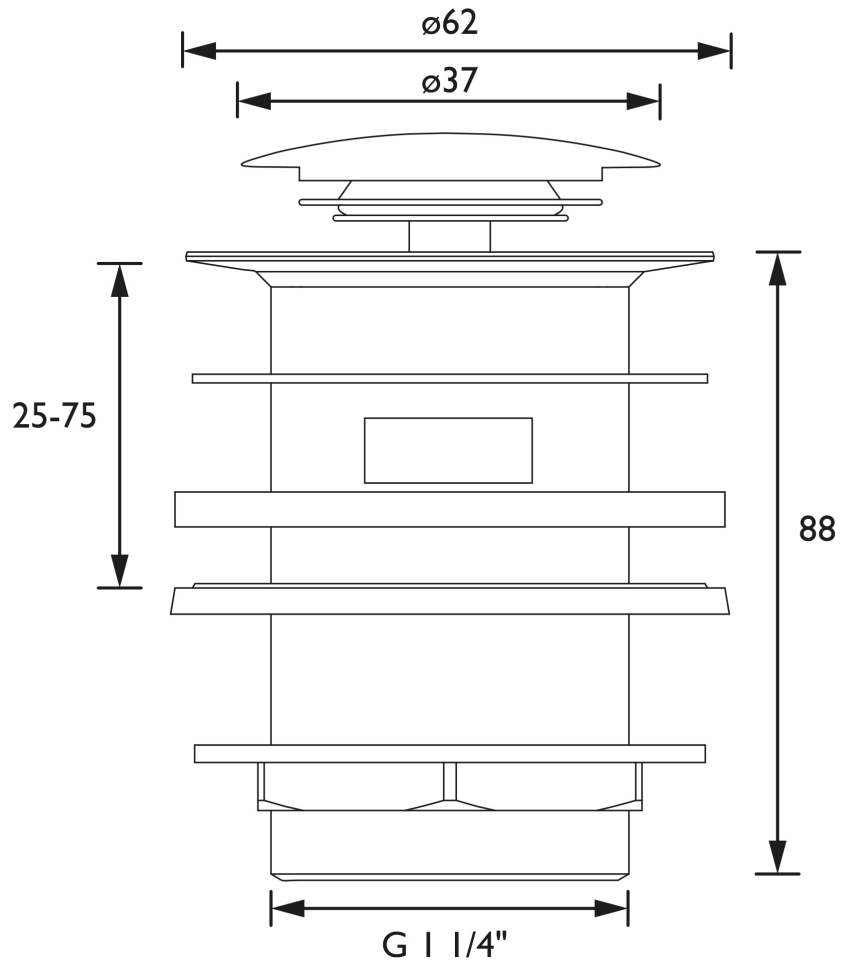
Variant SKUs:

- W BASIN11 C
-
-
-

For more products, visit our website:
<http://www.bristan.com>



Dimensions (measurements in mm)



TECHNICAL
DATA
SHEET



BRISTAN

D4