

# W BASIN13 C

## Wastes Round Pop Up Basin Waste Slotted Chrome



### Specification

Contemporary or Traditional:	Contemporary
Main Construction Material:	Brass
Connection Inlet:	G1 1/4"
Waste Drainage Rate (litres per minute):	27.9
What's in the Box?:	1x Flange, 1x Pop-up Plug, 2x Plastic Washers, 1x Waste Body, 2x Rod Washers, 1x Horizontal Rod, 1x Locking Nut, 1x Pop-Up Link, 1x Vertical Rod with Knob, 1x Threaded Rod, 1x Brass Nut, 1x Shroud, 1x Steel Washer, 1x Foam Washer

### Features:

- Built to last with a solid brass construction for strength and durability
- Enjoy lasting brilliance with our flawless, scratch-resistant chrome finish that's salt spray tested for durability
- Built to last, backed by a lifetime parts and 1-year labour guarantee
- 
- 

### Product Certifications:

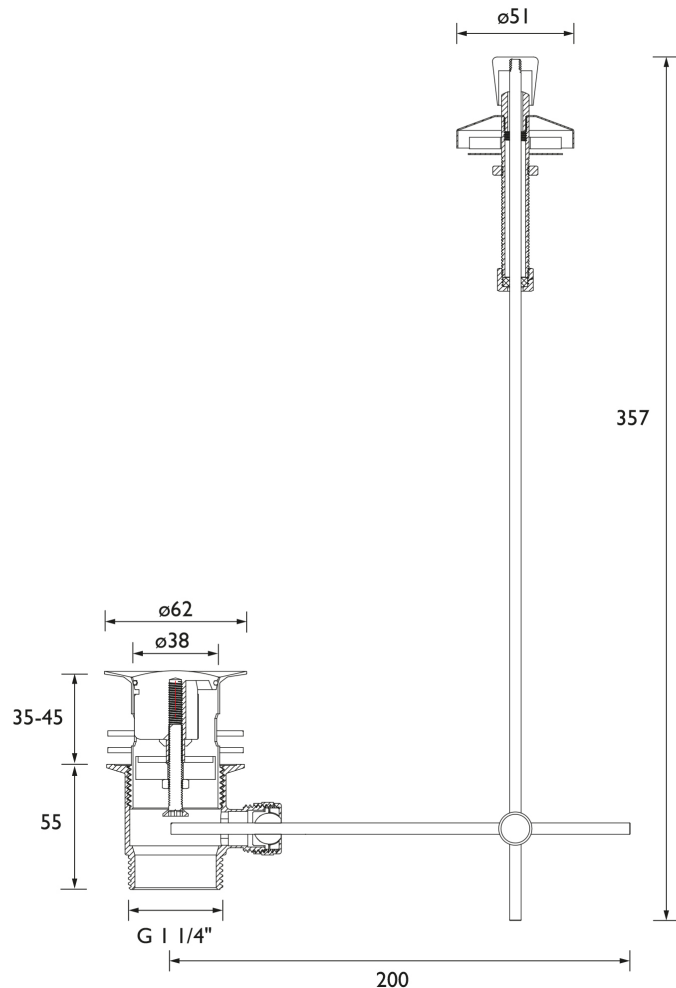
### Variant SKUs:

- 
- 
- 
- 

For more products, visit our website:  
<http://www.bristan.com>



### Dimensions (measurements in mm)



TECHNICAL  
DATA  
SHEET



BRISTAN

D4