

W BATH09 C

Wastes Bath Filler with Pop up Waste and Overflow Chrome



Specification

Contemporary or Traditional:	Contemporary
Main Construction Material:	Brass; ABS
Connection Inlet:	22mm Compression; 1/2" BSP Female Flexible Tails
Waste Drainage Rate (litres per minute):	8.7
What's in the Box?:	1x Bath Filler Body, 1x Plastic Elbow, 1x Rubber Washer, 2x Plastic Washers, 1x Shroud, 1x Handle Assembly, 1x Flow Straightener, 1x Overflow Tube, 1x Waste Body inc. pop-up cable, 1x Plastic Nut, 2x Sealing Washers, 1x Flange, 1x Pop-up Mechanism, 2x Flexible Tails, 1x Blanking Plug

Features:

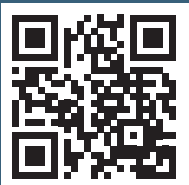
- Built to last with a solid brass construction for strength and durability
- Effortlessly switch between separate hot and cold controls or single mixed water supply to perfectly suit your bath setup
- Enjoy lasting brilliance with our flawless, scratch-resistant chrome finish that's salt spray tested for durability
- Built to last, backed by a lifetime parts and 1-year labour guarantee

Product Certifications:

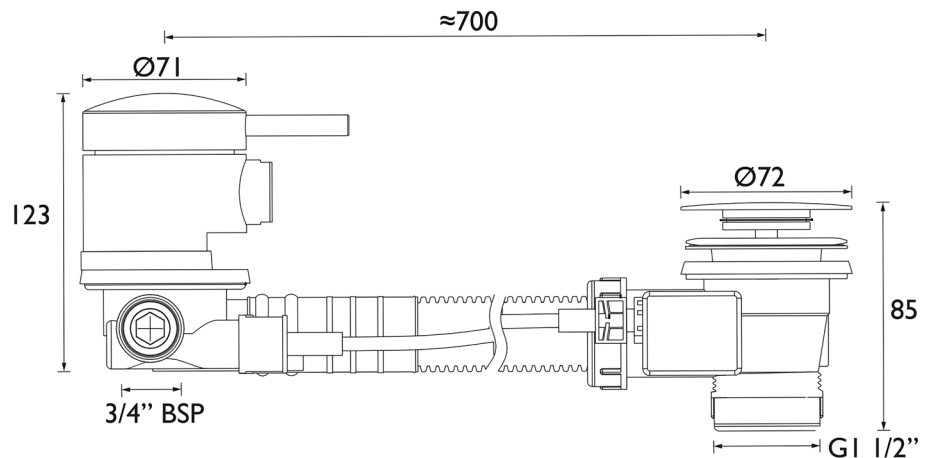
Variant SKUs:

-
-
-
-

For more products, visit our website:
<http://www.bristan.com>



Dimensions (measurements in mm)



TECHNICAL
DATA
SHEET



BRISTAN

D8