

W BATH08 C

Wastes Traditional Exposed Bath Waste with Over- flow Chrome



Specification

Contemporary or Traditional:	Traditional
Main Construction Material:	Brass
Connection Inlet:	G1 1/2"
Waste Drainage Rate (litres per minute):	58.6
What's in the Box?:	1x Bath Waste, 1x Screw, 1x Sealing Washer, 1x Foam Washer, 1x Flange, 1x Waste Body, 1x Conical Washer, 1x Plug And Ball Link Chain, 1x Overflow Plate, 1x Screw, 1x Overflow Seal Washer, 1x Overflow Elbow, 1x Fixed Overflow Pipe 1x Conical Washer, 1x Nut, 1x Fitting Instructions

Features:

- Built to last with a solid brass construction for strength and durability
- Enjoy lasting brilliance with our flawless, scratch-resistant chrome finish that's salt spray tested for durability
- Built to last, backed by a lifetime parts and 1-year labour guarantee
- Built to last, backed by a lifetime parts and 1-year labour guarantee
-

Product Certifications:

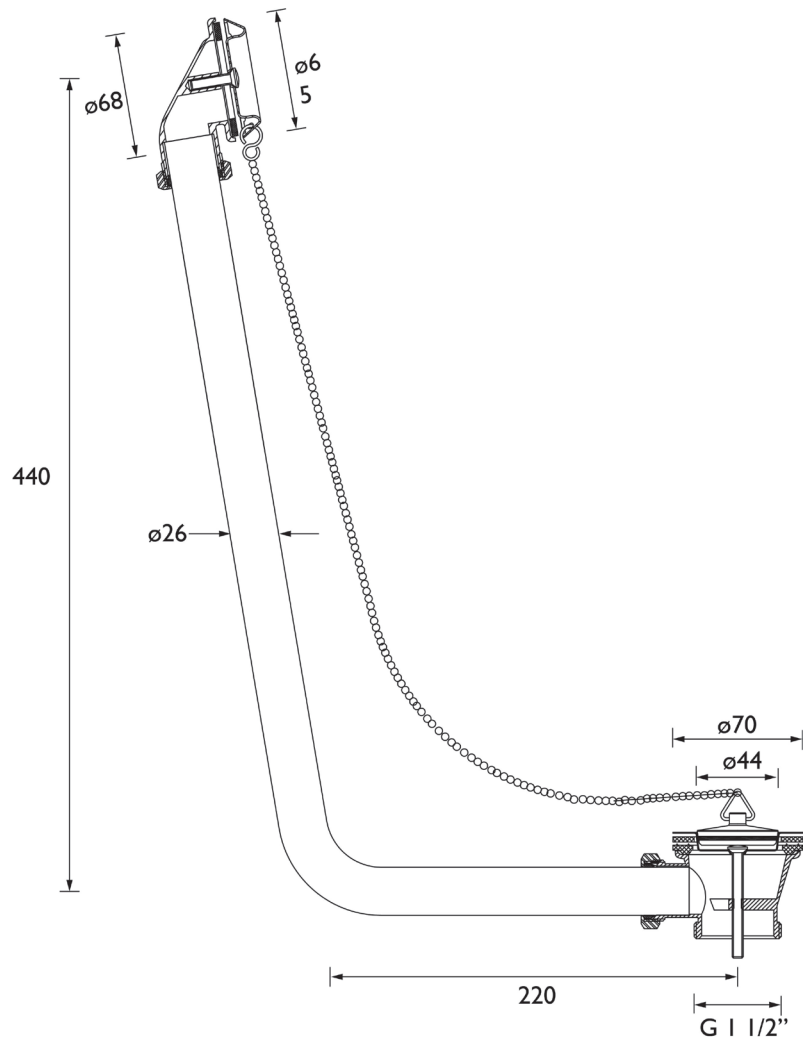
Variant SKUs:

- W BATH08 G
-
-
-

For more products, visit our website:
<http://www.bristan.com>



Dimensions (measurements in mm)



**TECHNICAL
DATA
SHEET**



BRISTAN

D5