

COMP BASK07 C

Accessories Two Tier Wall Fixed Wire Basket



Specification

Contemporary or Traditional:	Contemporary
Main Construction Material:	Brass
Connection Inlet:	N/A
Connection Outlet:	N/A
Product Weight (kg):	1.46
Adjustable Brackets:	N/A
What's in the Box?:	1 x Basket, 1 x Fixing Kit, 1 x Fitting Instructions

Features:

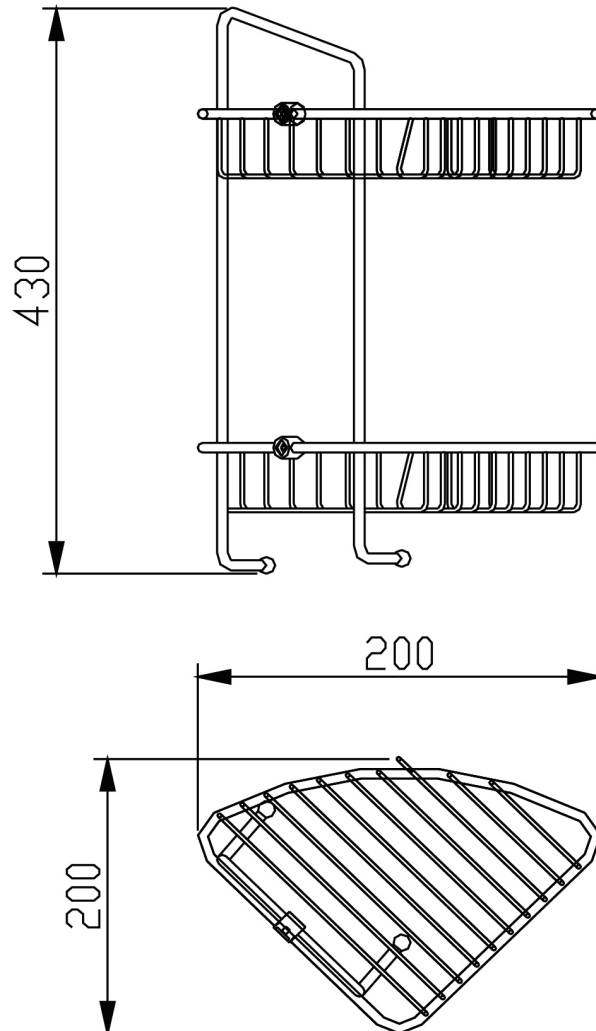
- Built to last with a solid brass construction for strength and durability
- Bring lasting shine to your space with a versatile, hard-wearing chrome finish
- Built to last, backed by a lifetime parts and 1-year labour guarantee

Product Certifications:

For more products, visit our website:
<http://www.bristan.com>



Dimensions (measurements in mm)



**TECHNICAL
DATA
SHEET**



BRISTAN

D3