

N2 RING C

Accessories 1901 Towel Ring Brass Chrome Plated



Specification

Contemporary or Traditional:	Traditional
Main Construction Material:	Brass
Connection Inlet:	N/A
Connection Outlet:	N/A
Product Weight (kg):	0.22
Adjustable Brackets:	N/A
What's in the Box?:	1x Towel Ring, 1x Grub Screw, 1x Fixing Plate, 3x Screws, 3x Wall Plugs, 1x Hex Key

Features:

- Built to last with a solid brass construction for strength and durability
- Bring lasting shine to your space with a versatile, hard-wearing chrome finish
- Built to last, backed by a lifetime parts and 1-year labour guarantee
- Pair with coordinating taps and showers to complete the look

Product Certifications:

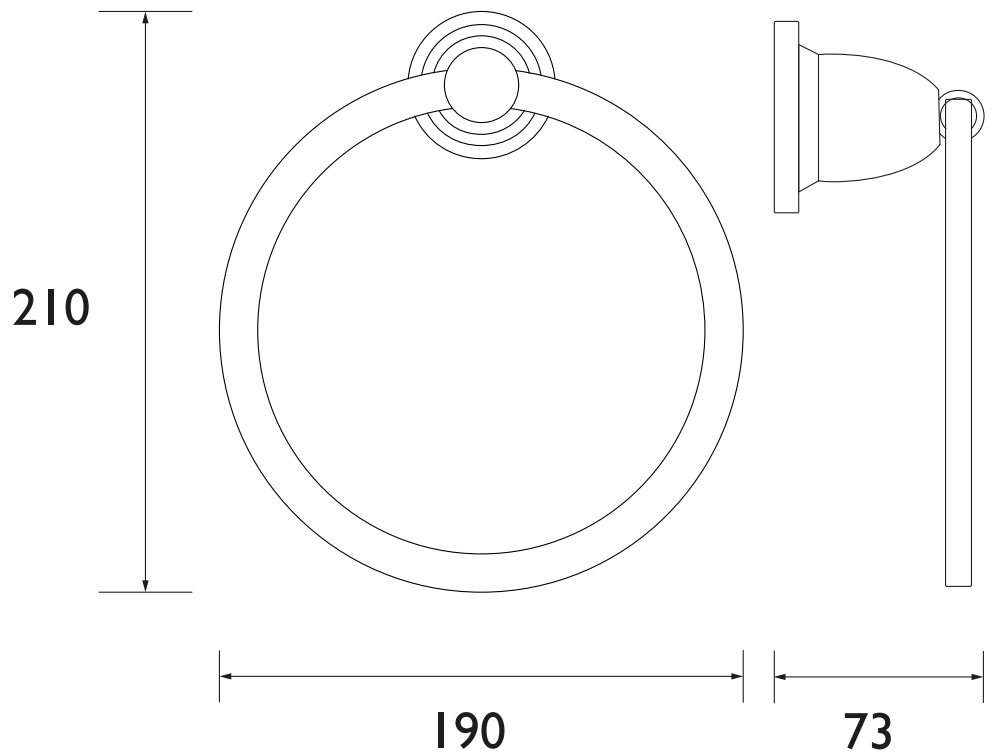
Variant SKUs:

- N2 RING G

For more products, visit our website:
<http://www.bristan.com>



Dimensions (measurements in mm)



**TECHNICAL
DATA
SHEET**



BRISTAN

D3