

# N2 ROLL C

## Accessories 1901 Toilet Roll Holder Brass Chrome Plated



### Specification

Contemporary or Traditional:	Traditional
Main Construction Material:	Brass
Connection Inlet:	N/A
Connection Outlet:	N/A
Product Weight (kg):	0.32
Adjustable Brackets:	N/A
What's in the Box?:	1 x Toilet Roll Holder, 1 x Fixing Kit, 1 x Fitting Instructions

### Features:

- Built to last with a solid brass construction for strength and durability
- Bring lasting shine to your space with a versatile, hard-wearing chrome finish
- Built to last, backed by a lifetime parts and 1-year labour guarantee
- Pair with coordinating taps and showers to complete the look

### Product Certifications:

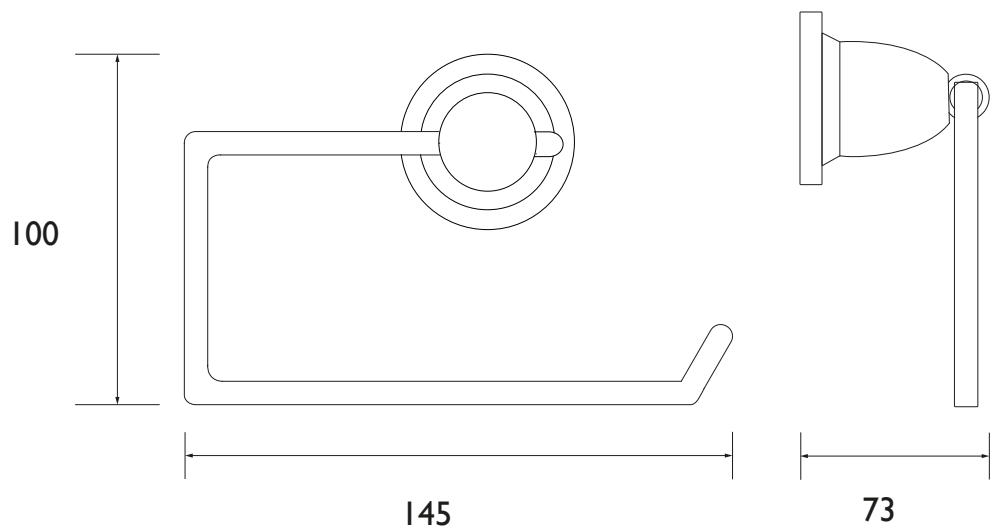
### Variant SKUs:

- N2 ROLL G

For more products, visit our website:  
<http://www.bristan.com>



### Dimensions (measurements in mm)



TECHNICAL  
DATA  
SHEET



BRISTAN

D3