

R 3/4 AC

Accessories Bath Tap Reviver With Acrylic Handles

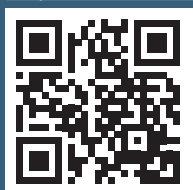


Features:

- Fits most 1/2" and 3/4" 5412 & 1010 taps
- Supplied with everything you need for a hassle-free installation: a pair of handles, standard valves, plus spacers and washers for flexible configurations to fit different tap seating depths.

Product Certifications:

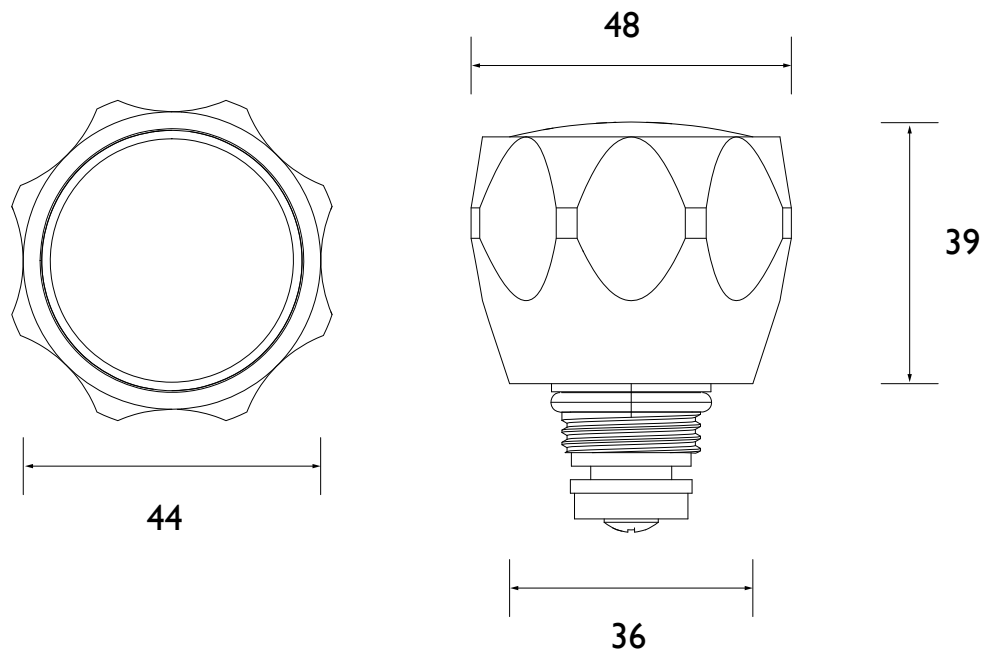
For more products, visit our website:
<http://www.bristan.com>



Specification

Contemporary or Traditional:	Contemporary
Product Type:	Tap Reviver
Main Construction Material:	Brass
Handle Type:	Club
Valve/Cartridge Type:	3/4" Standard Valves
Plumbing System Requirements:	Suitable for all plumbing systems
Product Weight (kg):	0.40
What's in the Box?:	2 x Tap Heads And Valves, 1 x Red Indices, 1 x Blue Indices, 2 x Small 11mm Screws, 2 x Medium 15mm Screws, 2 x Large 20mm Screws, 2 x Small Blue Plastic Spacers, 2 x Medium Plastic Spacers, 2 x Large Plastic Spacers, 2 x Small Black Rubber Washers, 2 x Large Black Rubber Washers, 2 x Tap Inserts, 2 x Large Tap Inserts, 1 x Fitting Instructions

Dimensions (measurements in mm)



TECHNICAL
DATA
SHEET



BRISTAN

D4