

# R 1/2 MT

## Accessories Basin Tap Reviver With Metal Handles Chrome



### Specification

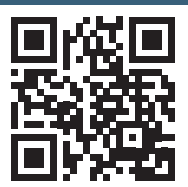
Contemporary or Traditional:	Contemporary
Product Type:	Tap Reviver
Main Construction Material:	Brass
Handle Type:	Club
Valve/Cartridge Type:	1/2" Standard Valves
Plumbing System Requirements:	Suitable for all plumbing systems
Product Weight (kg):	0.32
What's in the Box?:	2 x Tap Revivers, 1 x Hot Indices, 1 x Cold Indices, 2 x Tap Inserts, 4 x Blue Spaces, 2 x Screws, 2 x Small Screws, 1 x Fitting Instructions

### Features:

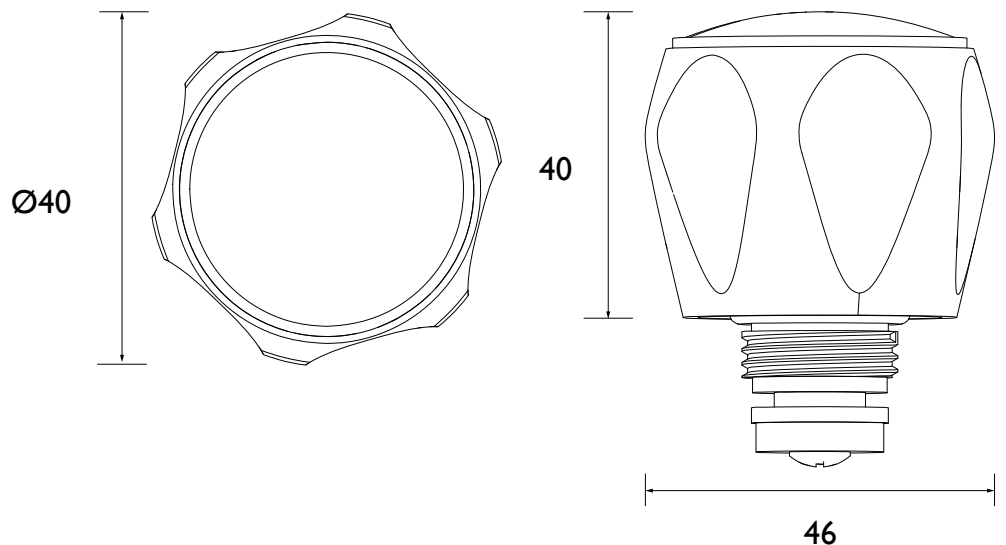
- Fits most 1/2" 5412 & 1010 taps
- Supplied with everything you need for a hassle-free installation: a pair of handles, standard valves, plus spacers and washers for flexible configurations to fit different tap seating depths.

### Product Certifications:

For more products, visit our website:  
<http://www.bristan.com>



### Dimensions (measurements in mm)



TECHNICAL  
DATA  
SHEET



BRISTAN

D4