

# R 1/2 TC

## Accessories Basin Tap Reviver With Traditional Handles Chrome



### Specification

Contemporary or Traditional:	Contemporary
Product Type:	Tap Reviver
Main Construction Material:	Brass; Plastic
Handle Type:	Traditional
Valve/Cartridge Type:	1/2" Standard Valves
Plumbing System Requirements:	Suitable for all plumbing systems
Product Weight (kg):	0.44
What's in the Box?:	2 x Tap Revivers, 2 x Tap Inserts, 2 x Large Screws, 2 x Small Screws, 4 x Blue Washers, 1 x Fitting Instructions

### Features:

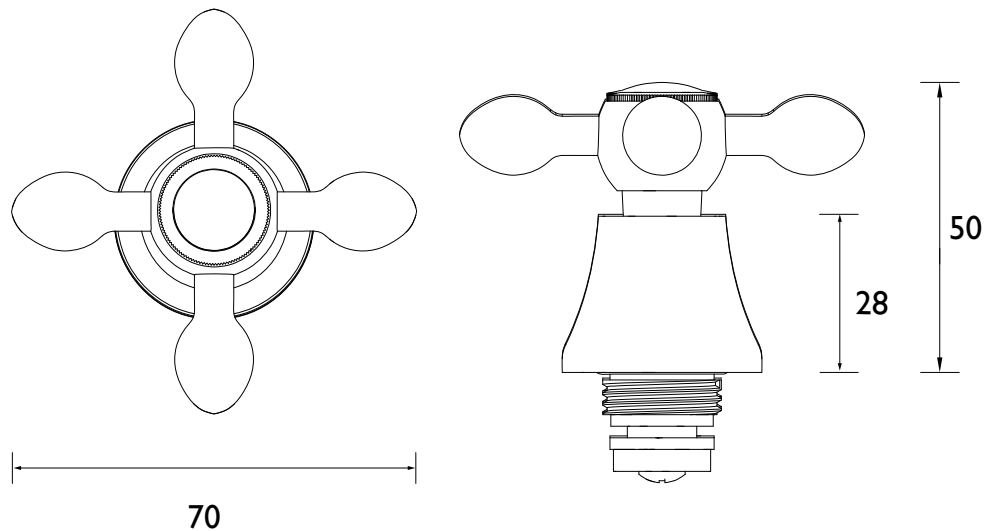
- Fits most 1/2" 5412 & 1010 taps
- Supplied with everything you need for a hassle-free installation: a pair of handles, standard valves, plus spacers and washers for flexible configurations to fit different tap seating depths.

### Product Certifications:

For more products, visit our website:  
<http://www.bristan.com>



### Dimensions (measurements in mm)



**TECHNICAL  
DATA  
SHEET**



**BRISTAN**

D4