

R 1/2 LEV

Accessories Basin Tap Reviver With Lever Handles Chrome



Specification

Contemporary or Traditional:	Contemporary
Product Type:	Tap Reviver
Main Construction Material:	Brass
Handle Type:	Lever
Valve/Cartridge Type:	1/2" Standard Valves
Plumbing System Requirements:	Suitable for all plumbing systems
Product Weight (kg):	0.39
What's in the Box?:	2 x Lever Tap Heads, 1 x Valve, 2 x Handles, 1 x Bs1010 Kit With Threaded Brushes/ 2 x Plain Brushes And 2 Long Screws, 1 x Fitting Instructions

Features:

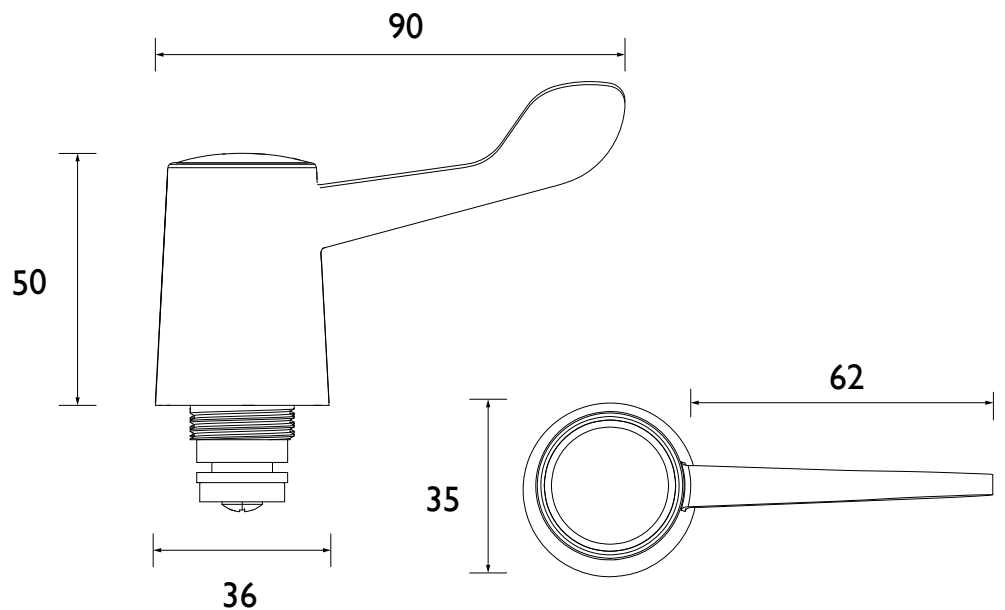
- Fits most 1/2" 5412 & 1010 taps
- Supplied with everything you need for a hassle-free installation: a pair of handles, standard valves, plus spacers and washers for flexible configurations to fit different tap seating depths.

Product Certifications:

For more products, visit our website:
<http://www.bristan.com>



Dimensions (measurements in mm)



TECHNICAL
DATA
SHEET



BRISTAN

D4