

# R 3/4 LEV

## Accessories Bath Tap Reviver With Lever Handles Chrome



### Specification

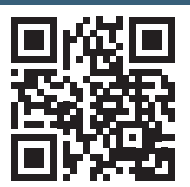
Contemporary or Traditional:	Contemporary
Product Type:	Tap Reviver
Main Construction Material:	Brass
Handle Type:	Lever
Valve/Cartridge Type:	3/4" Standard Valves
Plumbing System Requirements:	Suitable for all plumbing systems
Product Weight (kg):	0.50
What's in the Box?:	2 x Lever Tap Heads, 2 x Large Rubber Washers, 2 x White Spacer Washers, 2 x Small Black Rubber Washers, 2 x Grey Spacer Washers, 2 x Blue Spacer Washers, 2 x Large Chrome Tap Inserts, 2 x Small Chrome Tap Inserts, 2 x Large Screws, 2 x Medium Screws, 2 x Mini Screws, 1 x Fitting Instructions

### Features:

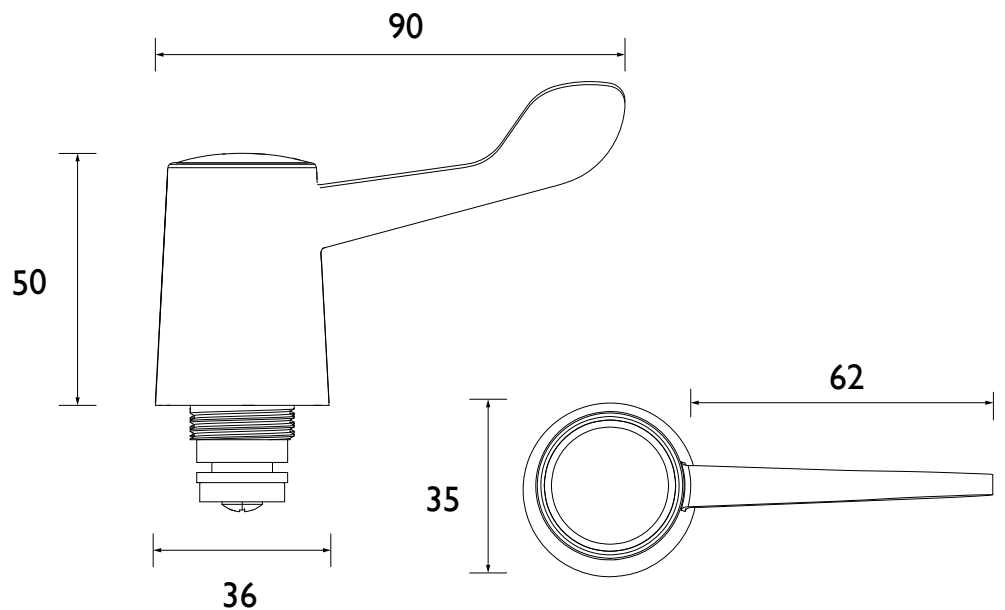
- Fits most 1/2" and 3/4" 5412 & 1010 taps
- Supplied with everything you need for a hassle-free installation: a pair of handles, standard valves, plus spacers and washers for flexible configurations to fit different tap seating depths.

### Product Certifications:

For more products, visit our website:  
<http://www.bristan.com>



### Dimensions (measurements in mm)



TECHNICAL  
DATA  
SHEET



BRISTAN

D4