

R 3/4 SL

Accessories Tap Reviver 3/4 Single Lever Chrome



Specification

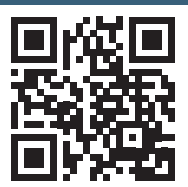
Contemporary or Traditional:	Contemporary
Product Type:	Tap Reviver
Main Construction Material:	Brass
Handle Type:	Lever
Valve/Cartridge Type:	3/4" Standard Valves
Plumbing System Requirements:	Suitable for all plumbing systems
Product Weight (kg):	0.55
What's in the Box?:	2 x Lever Tap Revivers, 4 x Chrome Inserts, 2 x Black Rubber Washers, 2 x Grey Spacers, 2 x Black Spacers, 2 x Blue Spacers, 2 x White Spacers, 2 x 2cm Screws, 2 x 1.5cm Screws, 2 x 1cm Screws, 1 x Fitting Instructions

Features:

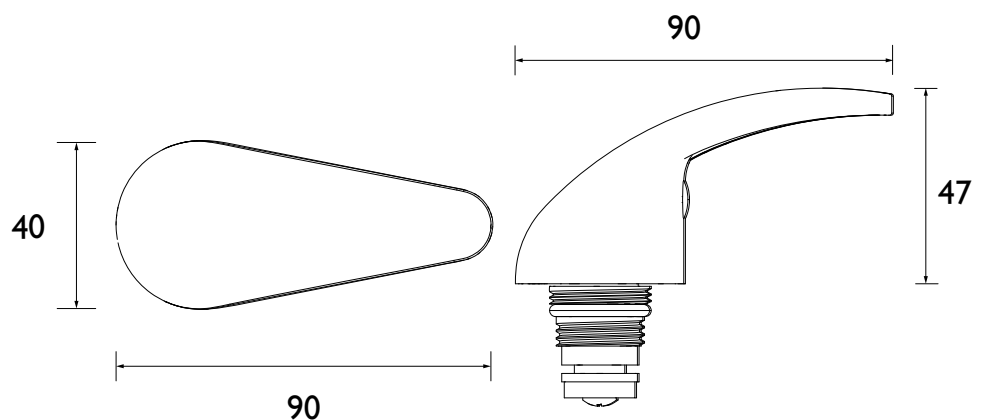
- Fits most 1/2" and 3/4" 5412 & 1010 taps
- Supplied with everything you need for a hassle-free installation: a pair of handles, standard valves, plus spacers and washers for flexible configurations to fit different tap seating depths.

Product Certifications:

For more products, visit our website:
<http://www.bristan.com>



Dimensions (measurements in mm)



TECHNICAL
DATA
SHEET



BRISTAN

D4