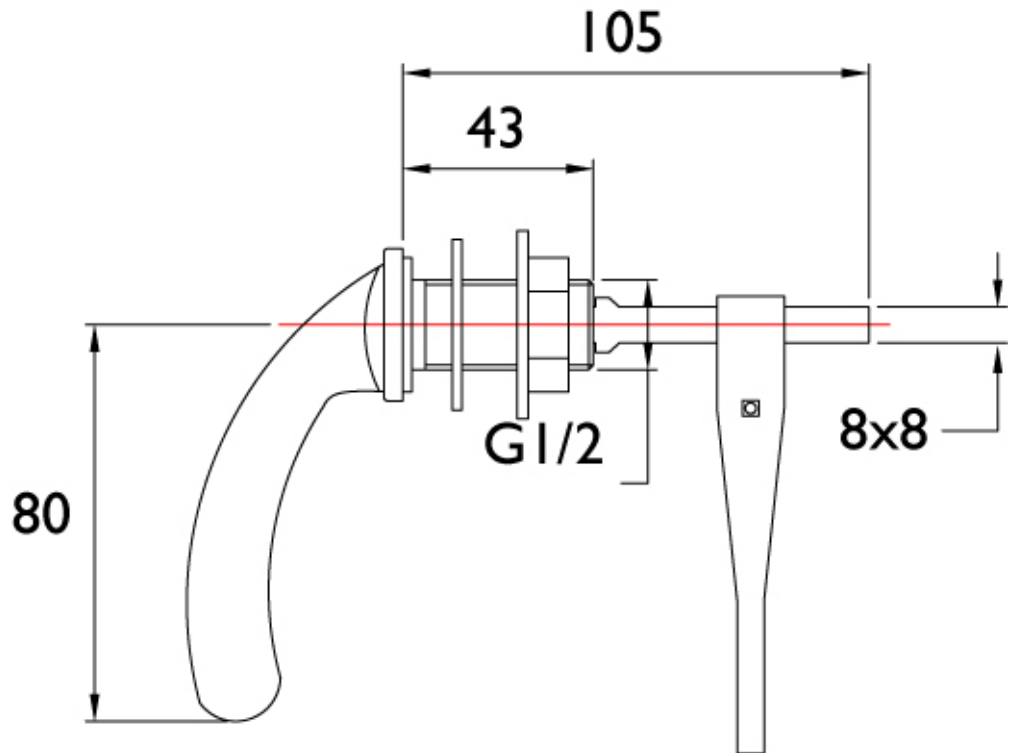




Specification

Contemporary or Traditional:	Contemporary
Main Construction Material:	Brass
Adjustable Brackets:	Yes
What's in the Box?:	1 x Cistern Lever, 1 x White Plastic Threaded Sleeve, 1 x Clear Rubber Washer, 1 x White Lifting Arm And Retaining Screw, 1 x Plastic Back Nut, 1 x Fitting Instructions

Dimensions (measurements in mm)



Features:

- Achieve perfect compatibility with the adjustable fixing system that adapts to varying cistern thickness
- Enjoy lasting brilliance with our flawless, scratch-resistant chrome finish that's salt spray tested for durability
- Built to last, backed by a lifetime parts and 1-year labour guarantee

Product Certifications:

- Compliant to BS EN 248

For more products, visit our website:
<http://www.bristan.com>



TECHNICAL DATA SHEET



BRISTAN

D2