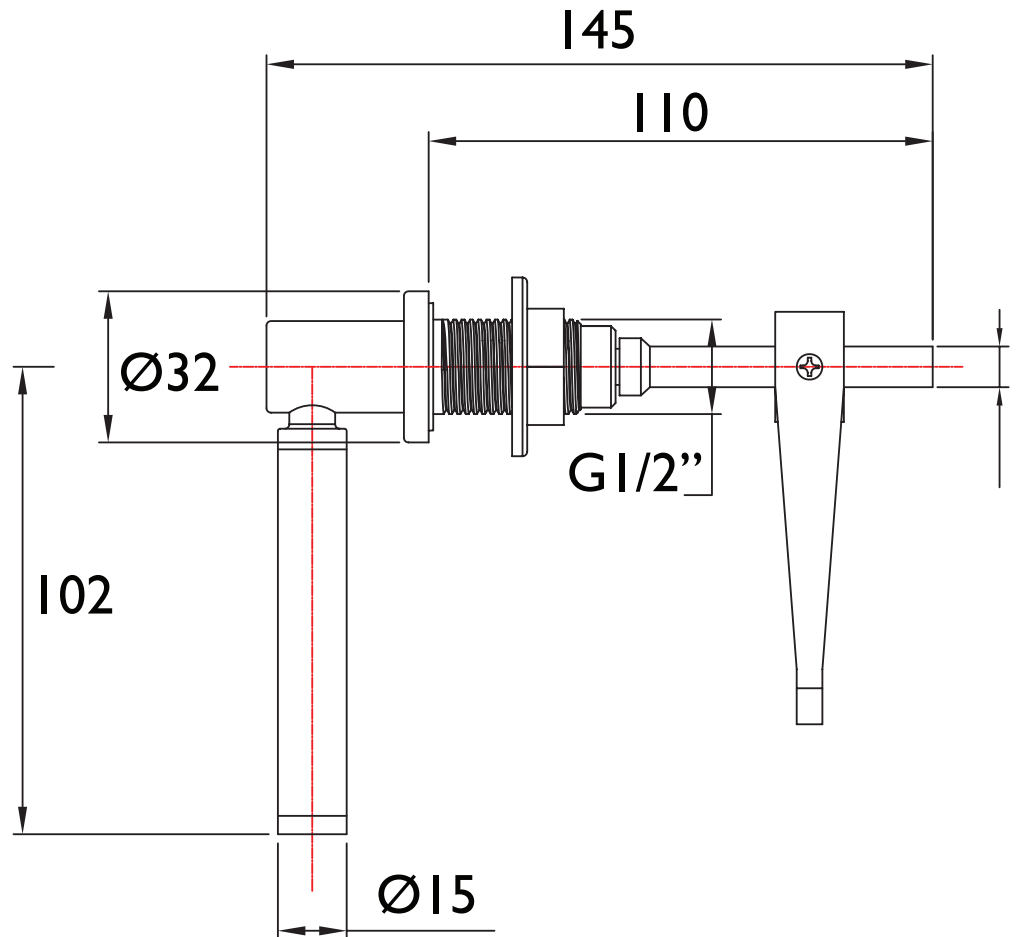




### Specification

Contemporary or Traditional:	Contemporary
Main Construction Material:	Brass
Adjustable Brackets:	Yes
What's in the Box?:	1 x Cistern Lever, 1 x White Plastic Threaded Sleeve, 1 x Clear Rubber Washer, 1 x White Lifting Arm, 1 x Back Nut, 1 x Fitting Instructions

### Dimensions (measurements in mm)



### Features:

- Enjoy lasting brilliance with our flawless, scratch-resistant chrome finish that's salt spray tested for durability
- Built to last, backed by a lifetime parts and 1-year labour guarantee

### Product Certifications:

- Compliant to BS EN 248

For more products, visit our website:  
<http://www.bristan.com>



## TECHNICAL DATA SHEET



# BRISTAN

D2