

# W CL3 C WHT

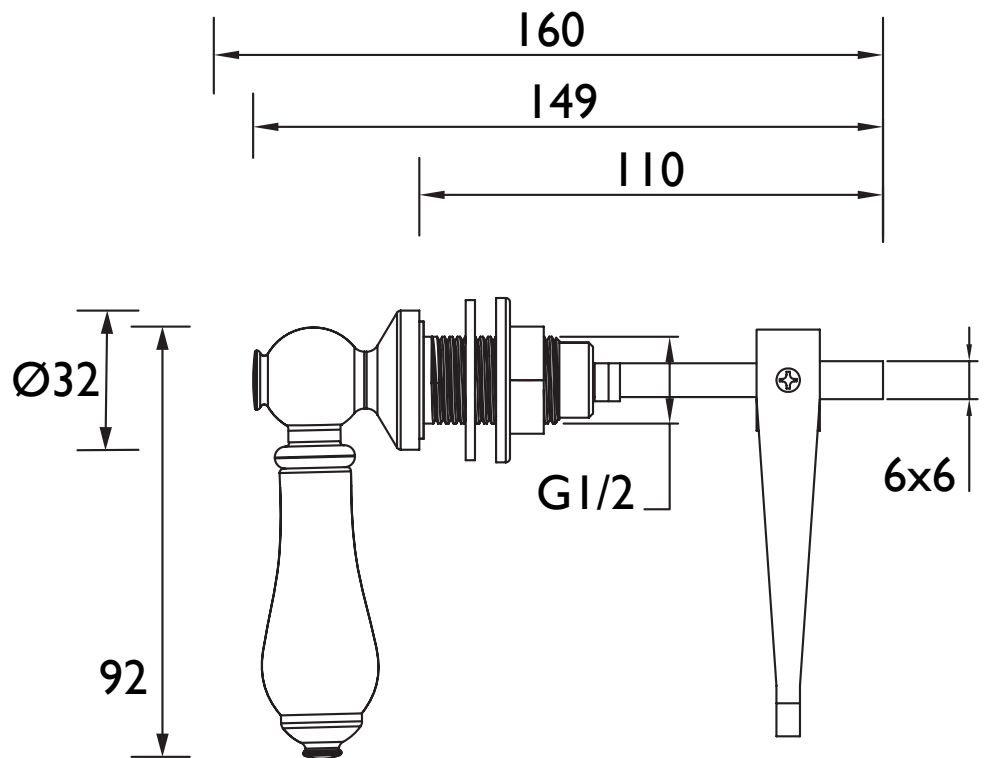
## Accessories Cistern Lever 3 Chrome Plated With White Components



### Specification

Contemporary or Traditional:	Traditional
Main Construction Material:	Brass & Ceramic
Adjustable Brackets:	Yes
What's in the Box?:	1 x Cistern Lever, 1 x Threaded Sleeve 1 x Rubber Washer, 1 x Arm And Retaining Screw, 1 x Back Nut, 1 x Fitting Instructions

### Dimensions (measurements in mm)



### Features:

- Achieve perfect compatibility with the adjustable fixing system that adapts to varying cistern thickness
- Enjoy lasting brilliance with our flawless, scratch-resistant chrome finish that's salt spray tested for durability
- Built to last, backed by a lifetime parts and 1-year labour guarantee

### Product Certifications:

- Compliant to BS EN 248

For more products, visit our website:  
<http://www.bristan.com>



TECHNICAL  
DATA  
SHEET



BRISTAN

D3