

BUZZ SHXDIVCTFF C COOLTOUCH Shower Range

Buzz2 Adjustable Rigid Riser
Diverter Bar Shower



Specification

Finish/Colour:	CR3 Chrome Plated
Main Construction Material:	ABS; Zinc Alloy
No of Controls:	2
Shower Type:	Bar Shower
Shower Head Type:	Both
Shower Kit:	Adjustable riser with Fixed Head
Valve/Cartridge Type:	Thermostatic Cartridge and 25mm Single Lever Cartridge
Maximum Hot Water Supply Temperature °C:	65
Plumbing System Suitability:	Suitable for high pressure systems
Minimum Dynamic Pressure (bar):	1
Maximum Dynamic Pressure (bar):	5
Maximum Static Pressure (bar):	10
Connection Inlet:	1/2" Compression
Connection Outlet:	G1/2" and Riser Outlet
Isolation Valve Included:	Yes
Check Valve Included:	Yes

Features:

- The Buzz Bar Mixer Shower brings polished chrome styling to create your personal spa experience with height-adjustable overhead drenching and multi-function handset. Thermostatic controls ensure family-safe showering with preset temperature stops, while the complete kit includes everything needed for straightforward installation.
- Stay protected with Safe Touch technology that keeps the valve cool to the touch
- Enjoy peace of mind with a 38°C safety stop, including override when required
- Fast, hassle-free installation with built-in front facing isolation valves that make it easy to fit, maintain and replace.
- Built to last, backed by a lifetime parts and 1-year labour guarantee

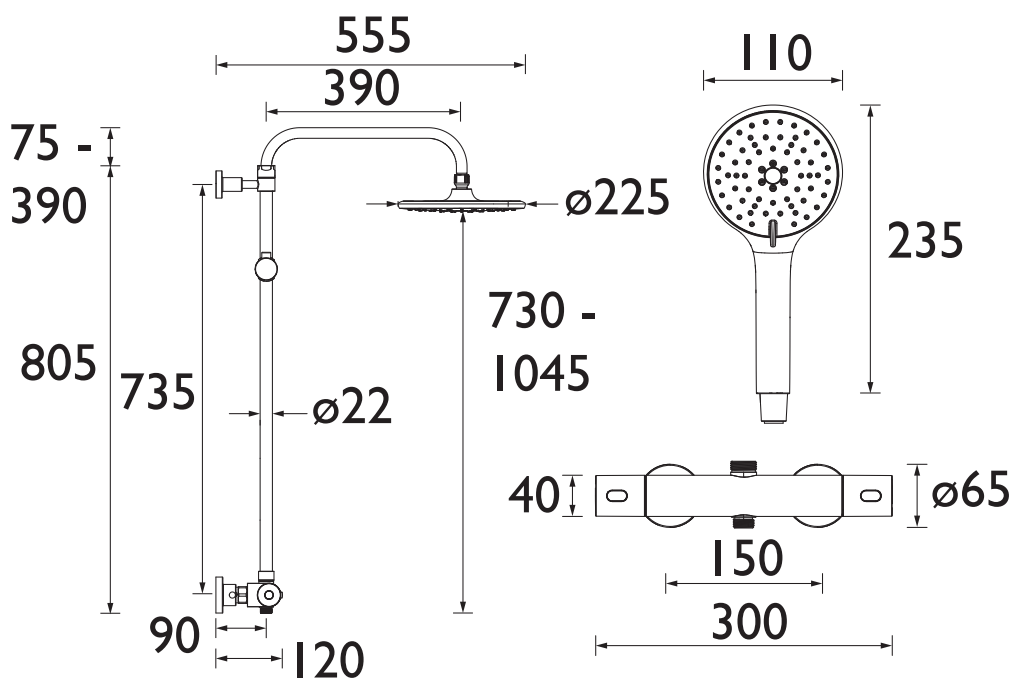
Product Certifications:



WRAS Certificate No: 2306909
WRAS Expiry Date: 30/06/2028



Dimensions (measurements in mm)



Flow Rates (l/min)

System Pressure (bar)	1	2	3	5
Through Handset (mixed)	5.5	7.8	9.6	12.4
Through Fixed Head (mixed)	5.9	8.3	10.2	13.2

TECHNICAL
DATA
SHEET



BRISTAN

D13