

BUZ SHXDIVCTFF BLK

BUZZ Shower Range Buzz Adjustable Rigid Riser Diverter Bar Shower Black



Features:

- The Buzz Bar Mixer Shower brings statement black styling to create your personal spa experience with height-adjustable overhead drenching and multi-function handset. Thermostatic controls ensure family-safe showering with preset temperature stops, while the complete kit includes everything needed for straightforward installation.
- Enjoy peace of mind with a 38°C safety stop, including override when required
- Fast, hassle-free installation with built-in front facing isolation valves that make it easy to fit, maintain and replace.
- Control your perfect shower experience with separate flow and temperature controls for precise adjustment
- Built to last, backed by a lifetime parts and 1-year labour guarantee

Product Certifications:



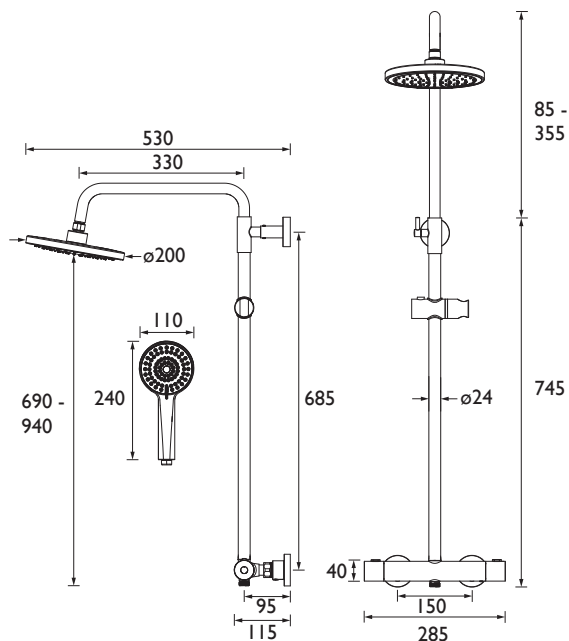
WRAS Certificate No: 2301902
WRAS Expiry Date: 31/01/2028



Specification

Finish/Colour:	Black
Main Construction Material:	ABS; Zinc Alloy
No of Controls:	2
Shower Type:	Bar Shower
Shower Head Type:	Both
Shower Kit:	Adjustable Riser with Fixed Head
Valve/Cartridge Type:	30.5mm Thermostatic Cartridge & 25mm Two-Way Diverter
Maximum Hot Water Supply Temperature °C:	60
Plumbing System Suitability:	Suitable for high pressure systems
Minimum Dynamic Pressure (bar):	1
Maximum Dynamic Pressure (bar):	5
Maximum Static Pressure (bar):	10
Connection Inlet:	1/2" Compression
Connection Outlet:	G1/2" and Riser Pipe
Isolation Valve Included:	Yes
Check Valve Included:	Yes

Dimensions (measurements in mm)



Flow Rates (l/min)

System Pressure (bar)	1	2	3	5
Through Handset (mixed)	6.8	10.1	12.9	16.7
Through Fixed Head (mixed)	8	11.8	14.7	19.3

TECHNICAL DATA SHEET



BRISTAN

D4