

NAP SHXDIVSMFF C

NAPOLI Shower Range Napoli Adjustable Thermostatic Rigid Riser Diverter Bar Shower Chrome



Features:

- The Napoli Thermostatic Diverter Bar Shower in chrome combines sleek contemporary design with family-safe showering technology. The telescopic riser adjusts to any space while thermostatic controls maintain your ideal temperature with automatic safety shut-off protection.
- Enjoy peace of mind with a 38°C safety stop, including override when required
- Supplied with everything you need, including bar shower valve, hose, telescopic rigid riser rail and rub-clean anti-limescale drench head and single function handset
- Install or replace with ease thanks to a fast-fit fixing kit that makes fitting your shower bar valve quick and simple
- Built to last, backed by a lifetime parts and 1-year labour guarantee

Product Certifications:



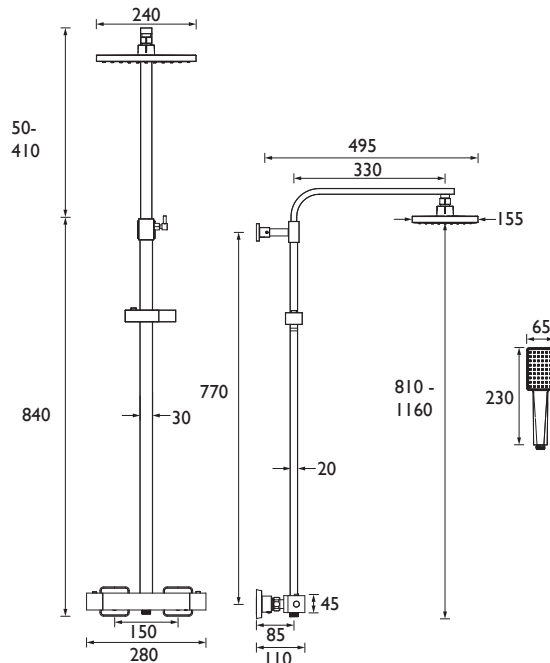
WRAS Certificate No: 240203003
WRAS Expiry Date: 28/02/2029



Specification

| | |
|--|---|
| Finish/Colour: | Chrome Plated |
| Main Construction Material: | ABS; Zinc Alloy |
| No of Controls: | 2 |
| Shower Type: | Bar Shower |
| Shower Head Type: | Fixed Head and Single-Function Handset |
| Shower Kit: | Adjustable Riser with Fixed Head |
| Valve/Cartridge Type: | Thermostatic Cartridge |
| Maximum Hot Water Supply Temperature °C: | 60 |
| Plumbing System Suitability: | Suitable for all plumbing systems, ideally balanced |
| Minimum Dynamic Pressure (bar): | 0.5 |
| Maximum Dynamic Pressure (bar): | 5 |
| Maximum Static Pressure (bar): | 10 |
| Connection Inlet: | 15mm Compression |
| Connection Outlet: | G1/2" and Riser Outlet |
| Isolation Valve Included: | No |
| Check Valve Included: | Yes |

Dimensions (measurements in mm)



Flow Rates (l/min)

| System Pressure (bar) | 0.5 | 1 | 2 | 3 | 5 |
|----------------------------|-----|-----|------|------|------|
| Through Handset (mixed) | 4.7 | 6.8 | 10 | 12.6 | 16.7 |
| Through Fixed Head (mixed) | 4.5 | 6.9 | 10.3 | 12.7 | 16.8 |

TECHNICAL DATA SHEET



BRISTAN

D5