

QB SHXDIVCTFF BB

QUBO Shower Range Qubo Safe Touch Thermostatic Rigid Riser Diverter Bar Shower Brushed Brass



Specification

Finish/Colour:	Brushed Brass
Main Construction Material:	Brass; Stainless Steel; ABS
No of Controls:	2
Shower Type:	Bar Shower
Shower Head Type:	Fixed Head and Multi-Function Handset
Shower Kit:	Telescopic Riser with Fixed Head and Handset
Valve/Cartridge Type:	Thermostatic Cartridge
Maximum Hot Water Supply Temperature °C:	60
Plumbing System Suitability:	Suitable for high pressure plumbing systems
Minimum Dynamic Pressure (bar):	1
Maximum Dynamic Pressure (bar):	5
Maximum Static Pressure (bar):	10
Connection Inlet:	15mm Compression
Connection Outlet:	G1/2"
Isolation Valve Included:	Yes
Check Valve Included:	Yes

Features:

- Fast, hassle-free installation with built-in front facing isolation valves that make it easy to fit, maintain and replace.
- Shower safely with automatic shut-off protection if hot or cold water supply fails
- Stay protected with Safe Touch technology that keeps the valve cool to the touch
- Built to last, backed by a lifetime parts and 1-year labour guarantee

Product Certifications:



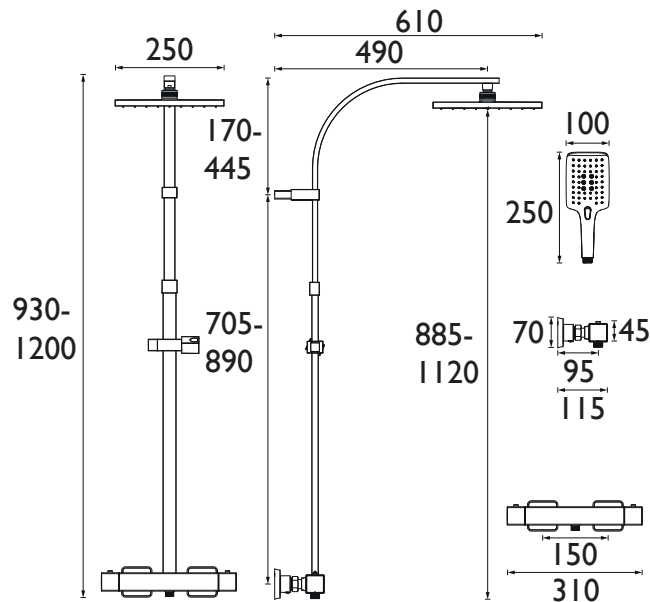
WRAS Certificate No: 240903006
WRAS Expiry Date: 30/09/2029



For more products, visit our website:
<http://www.bristan.com>



Dimensions (measurements in mm)



Flow Rates (l/min)

System Pressure (bar)	1	2	3	4	5
Through Handset (mixed)	4.3	6.3	7.6	8.3	8.3
Through Fixed Head (mixed)	6.1	8.6	9.8	9.9	9.4

TECHNICAL DATA SHEET



BRISTAN

D3