

TRD HAND01 C

SHOWER ACC Shower Range Traditional Deluxe Handset Chrome



Specification

Finish/Colour:	Chrome Plated
Main Construction Material:	Brass
Shower Kit:	N/A
Shower Head Type:	Single-function Handset
Rub Clean Handset:	No
Mounting Type:	Wall
Plumbing System Suitability:	Suitable for all plumbing systems
Minimum Dynamic Pressure (bar):	0.2 bar
Maximum Dynamic Pressure (bar):	5 bar
Maximum Static Pressure (bar):	10 bar
Maximum Hot Water Supply Temperature °C:	85
Connection Inlet:	G 1/2"
Connection Outlet:	N/A
Isolation Included:	No
Check Valve Included:	No
What's Included:	1 x Handset, 1 x Fitting Instructions

Features:

- Enjoy lasting brilliance with our flawless, scratch-resistant chrome finish that's salt spray tested for durability
- Built to last, backed by a lifetime parts and 1-year labour guarantee

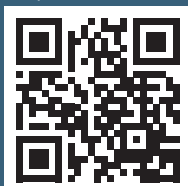
Product Certifications:



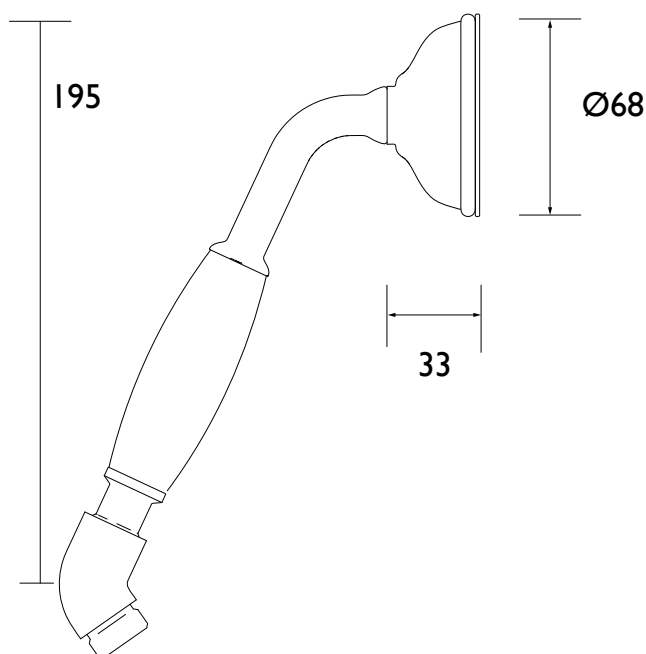
WRAS Certificate No: 240703013
WRAS Expiry Date: 31/07/2029



For more products, visit our website:
<http://www.bristan.com>



Dimensions (measurements in mm)



Flow Rates (l/min)

System Pressure (bar)	0.2	0.5	1	2	3	5
Through Handset (mixed)	6.6	10.4	14.7	20.8	25.5	32.9

TECHNICAL DATA SHEET



BRISTAN