

OPS BF C

OPUS Tap Range

Opus Bath Filler Chrome



Specification

Product Type:	Bathroom Taps
Main Construction Material:	Brass
Mount Type:	Deck Mounted
Handle Type:	Lever Handles
Connection Inlet:	3/4" BSP
Connection Outlet:	M24 Flow Straightener
Number of Tap Holes:	2
Valve/Cartridge Type:	3/4" Ceramic Disc Valve - 1/4 Turn
Plumbing System Requirements:	Suitable for all plumbing systems
Minimum Dynamic Pressure (bar):	0.2 bar
Maximum Dynamic Pressure (bar):	5.0 bar
Maximum Hot Water Temperature °C:	60°C
Maximum Static Pressure (bar):	10 bar
Flow Type:	Single Flow
Isolation Included:	No

Features:

- A hard-wearing, flawless chrome finish that lasts for years
- Long life and easy to use 1/4 turn ceramic disc valves
- Supplied with metal fixing nuts to secure your tap in place
- Suitable for high and low pressure water systems
- 5 year guarantee

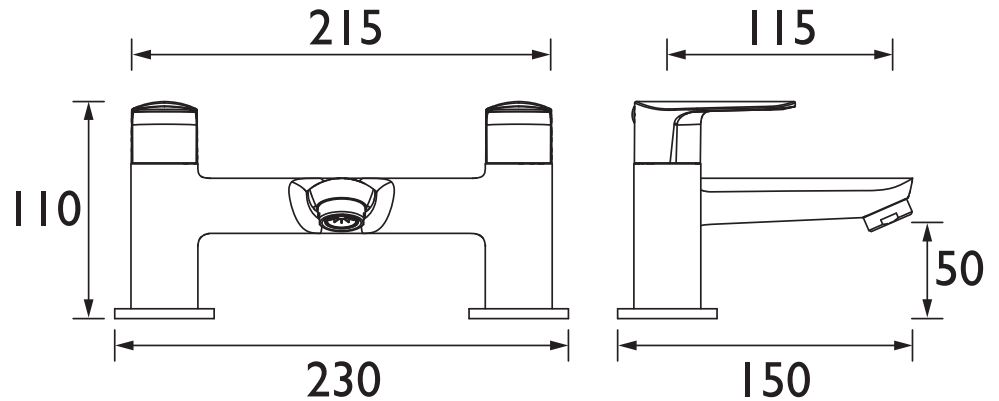
Product Certifications:



WRAS Cert. Number: 1906920
WRAS Expiry Date: 30/06/2024



Dimensions (measurements in mm)



Flow Rates (l/min)

System Pressure (bar)	0.2	0.5	1	2	3	5
OPS BF C (mixed)	20.2	32	45	63	78	101
OPS BF C (hot)	14.5	26.3	37	52	64	83
OPS BF C (cold)	13.3	21.2	30.3	42	52	67

TECHNICAL DATA SHEET



BRISTAN

D3