

VAX 1/2 E4 C

VALUE Tap Range
5412 Cross Top Basin Taps
Eco4 Chrome Plated



Features:

- Supplied with metal handles
- Supplied with metal backnuts
- Product supplied with 2 x 2 litre per minute flow regulators which can be inserted into the threaded tail to reduce water consumption and increase water efficiency (Flow Regulator accurate +/- 10%)
- Chrome plated to BS EN 248

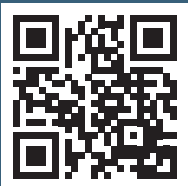
Product Certifications:



WRAS Cert. Date: 2007904
WRAS Expiry Date: 31/07/2025



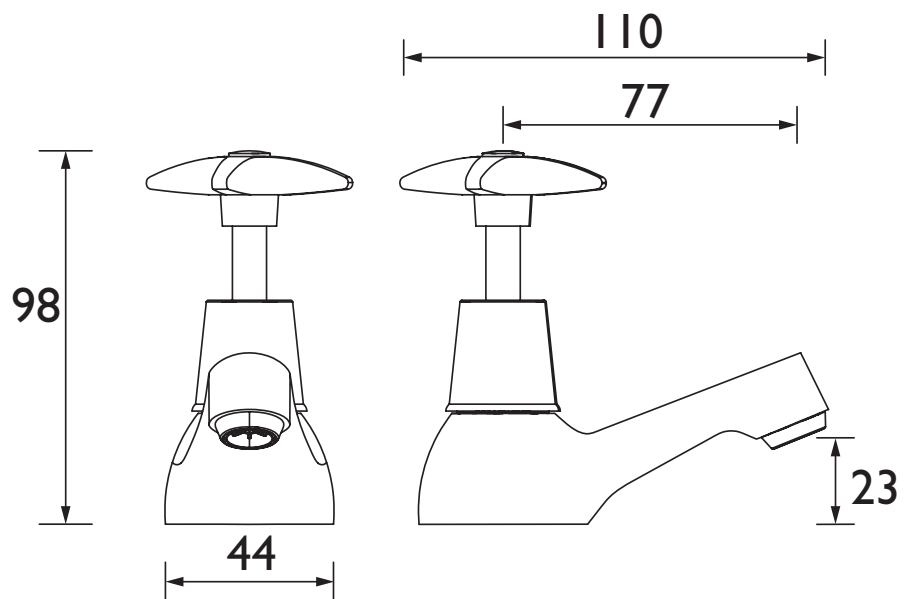
For more products, visit our website:
<http://www.bristan.com>



Specification

Product Type:	Bathroom taps
Main Construction Material:	Brass
Mount Type:	Deck Mounted
Handle Type:	Crosshead
Connection Inlet:	1/2" BSP
Connection Outlet:	M16 Aerator
Number of Tap Holes:	2
Valve/Cartridge Type:	1/2" Ceramic Disc Valve
Plumbing System Requirements:	Suitable for all plumbing systems
Minimum Dynamic Pressure:	0.2 bar
Maximum Dynamic Pressure:	5.0 bar
Maximum Hot Water Temperature: °C	65
Maximum Static Pressure: (bar)	10
Flow Type:	Single Flow
Isolation Included:	No
Check Valve Included:	No

Dimensions (measurements in mm)



Flow Rates (l/min)

System Pressure (bar)	0.2	0.5	1	2	3	5
VAX 1/2 E4 C	4	4	4	4	4	4

**TECHNICAL
DATA
SHEET**



BRISTAN

D4