

NR 1/2 C

NERO Tap Range Nero Basin Taps Chrome



Features:

- Long life and easy to use 1/4 turn ceramic disc valves
- Metal back nuts for added durability
- Easy to use lever handles
- Metal back nuts for added durability

Product Certifications:



WRAS Certificate No: 2204900
WRAS Expiry Date: 30/04/2027



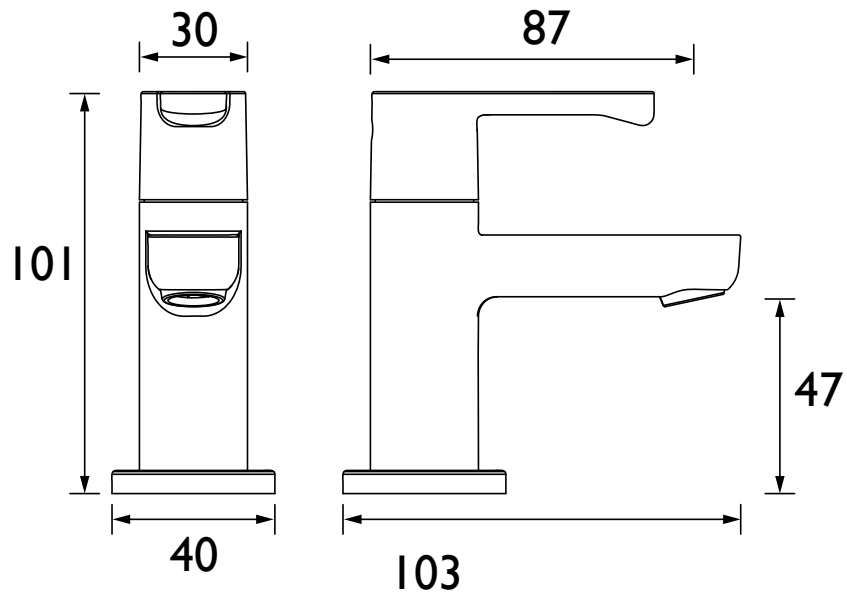
For more products, visit our website:
<http://www.bristan.com>



Specification

Product Type:	Bathroom Taps
Main Construction Material:	Brass
Mount Type:	Deck
Handle Type:	Paddle
Connection Inlet:	1/2" BSP
Connection Outlet:	Flow Straightener
Number of Tap Holes:	2
Valve/Cartridge Type:	1/2" Ceramic Disc Valve - 1/4 turn
Plumbing System Requirements:	Suitable for all plumbing systems
Minimum Dynamic Pressure (bar):	0.2 bar
Maximum Dynamic Pressure (bar):	5 bar
Maximum Hot Water Temperature °C:	65°C
Maximum Static Pressure (bar):	10 bar
Isolation Included:	No

Dimensions (measurements in mm)



Flow Rates (l/min)

System Pressure (bar)	0.2	0.5	1	2	3	5
NR 1/2 C (Cold)	6.1	9.7	13.7	19.4	23.8	30.7
NR 1/2 C (Hot)	5.9	9.3	13.1	18.5	22.7	29.3

TECHNICAL DATA SHEET



BRISTAN

D9