

BL3105 W

BLISS Electric Shower Range BLISS 10.5KW ELECTRIC SHOWER WHITE



Features:

- 15mm push-fit inlet connection
- Available in 8.5kW, 9.5kW and 10.5kW power ratings @240V
- Draws water directly from mains supply, at working pressures between 0.7 bar and 10 bar
- Touch controls with super sleek looks
- Anti-limescale feature reduces build up and rub-clean handset helps extend product life

Product Certifications:



Intertek



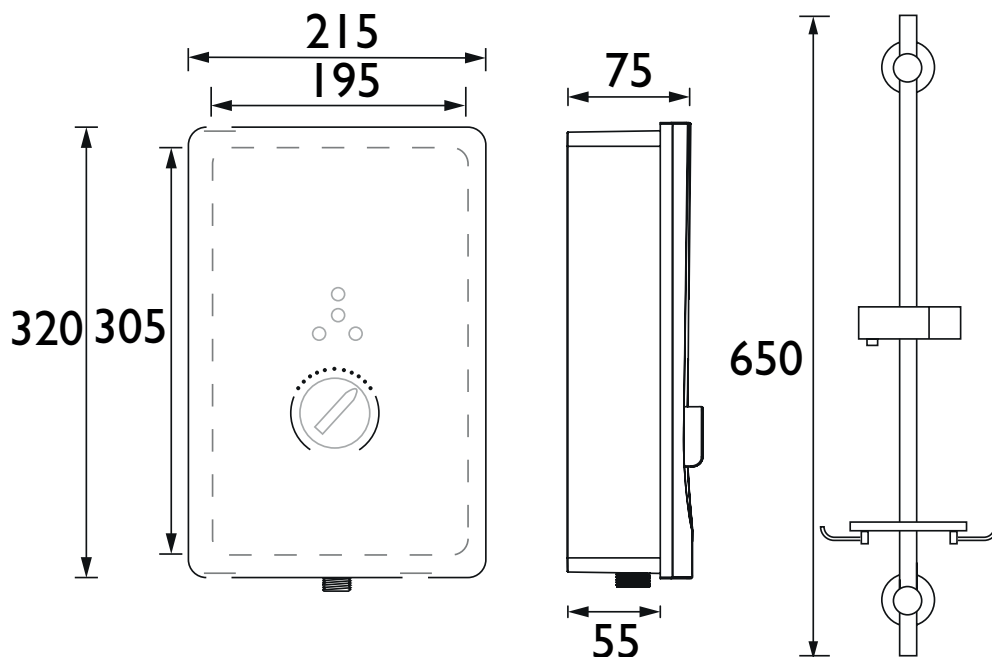
For more products, visit our website:
<http://www.bristan.com>



Specification

| | |
|--------------------------------|--------------------------|
| Finish/Colour: | White |
| Main Construction Material: | ABS Plastic |
| No of Controls: | 5 |
| Control Type: | Dial and Push Button |
| Shower Type: | Electric Shower |
| Shower Head Type: | Multi Function Handset |
| Working Pressure Range: (bar) | Min 0.7 Bar, Max 10 Bar |
| Maximum Static Pressure: (bar) | 10 |
| Plumbing System Suitability: | Mains Cold Feed Only |
| Connection Inlet: | 15mm Push-Fit Connection |
| Connection Outlet: | G 1/2" |
| Thermostatic: | No |
| Isolation Valve Included: | No |
| Check Valve Included: | No |
| Power Rating: | 10.5kW (+24% more flow) |
| Phased Shutdown Feature: | Yes |
| Energy Rating: | A |

Dimensions (measurements in mm)



Flow Rates (l/min)

| | |
|-----------|--------|
| Power | 10.5kW |
| Flow Rate | 5.6 |

Quoted as per European Water Label (EWL) scheme conditions:
Output - 42°C, Input - 15°C, Voltage - 240V

TECHNICAL DATA SHEET



BRISTAN