

QD SHXDIVFF C

QUADRATO Shower Range Quadrato Exposed Fixed Head Bar Shower with Diverter & Kit



Specification

Product Type:	Mixer Shower
Main Construction Material:	Brass
Connection Inlet:	15mm Compression
Connection Outlet:	G ½"
Number of Controls:	2
Flow Control Valve Type:	Thermostatic Cartridge
Plumbing System:	Suitable for all plumbing systems
Minimum Dynamic Pressure: (bar)	0.5
Maximum Dynamic Pressure: (bar)	5.0
Maximum Static Pressure: (bar)	10
Maximum Hot Water Temperature: (°C)	80
Pre-set Outlet Temperature: (°C)	38
Isolation Included:	No
Check Valve Supplied:	No
Shower Kit:	Telescopic rigid riser with fixed head

Features:

- Supplied with our wallmount 12 fixing kit. The simplest solution for installing, maintaining and replacing bar showers, using built in front-of-wall isolation valves.
- Thermostatic cartridge with preset temperature stop at 38°C, can be over-riden to a maximum of 46°C
- Dual control - flow and temperature are controlled separately
- High performance even at low pressures
- Automatic shut-off in the event of hot or cold water supply failure

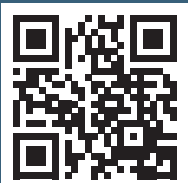
Product Certifications:



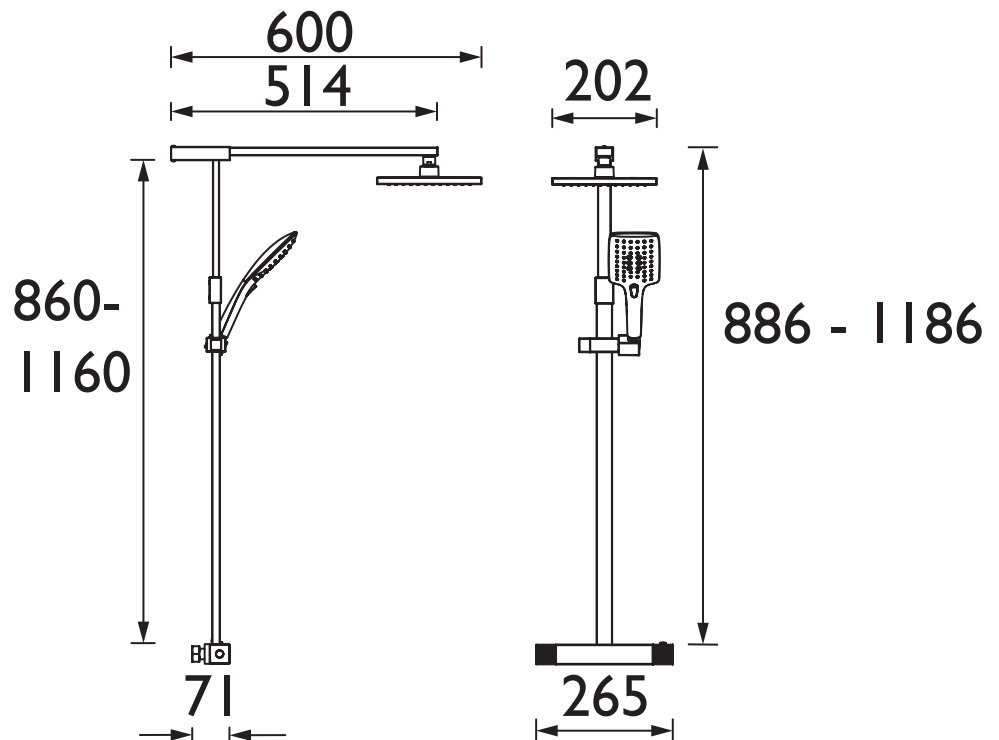
WRAS Cert. Number: 2207905
WRAS Expiry Date: 31/07/2027



For more products, visit our website:
<http://www.bristan.com>



Dimensions (measurements in mm)



Flow Rates (l/min)

System Pressure (bar)	0.5	1	2	3	5
Through Handset (mixed)	3.9	5.5	7.8	9.6	12.4
Through Fixed Head (mixed)	4.0	4.4	6.3	8.9	12.6

TECHNICAL DATA SHEET



BRISTAN

D16