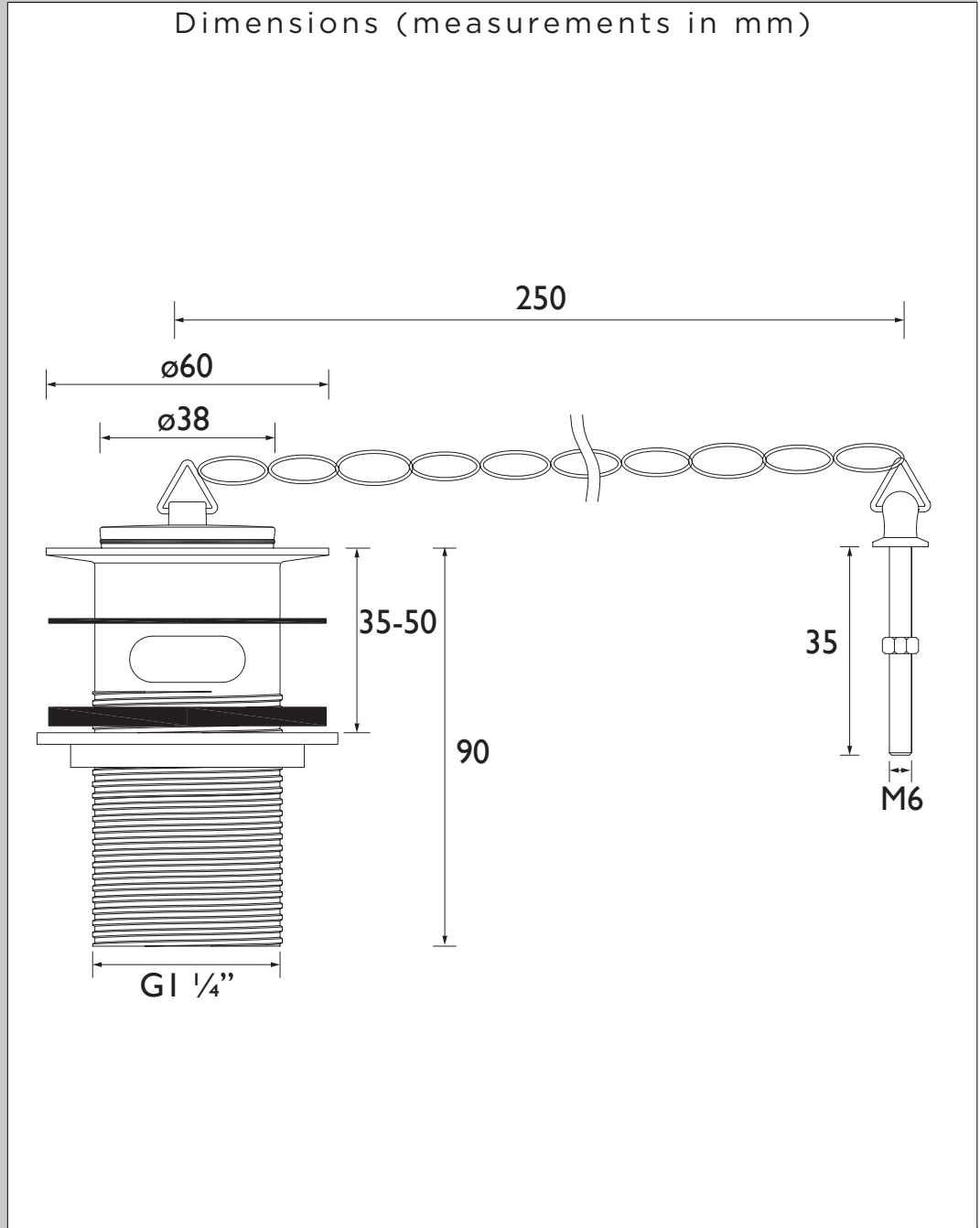


W BASIN01 G

Wastes Traditional Slotted Basin Waste with Porcelain Plug Gold



Specification	
Contemporary or Traditional:	Traditional
Main Construction Material:	Brass
Connection Inlet:	G1 1/4"
Waste Flow Rate (litres per minute):	38.5
What's in the Box?:	1x Slotted Waste Body, 2x Rubber Washers, 1x Metal Backnut, 1x Overflow Screw, 1x Overflow Nut, 1x 250mm Link Chain, 1x Porcelain Plug



Features:

- Solid brass construction
- Metal back nut for added durability

Product Certifications:

Compliant to BS EN 274

Variant SKUs:

- W BASIN01 C
- W BASIN02 G

For more products, visit our website:
<http://www.bristan.com>



TECHNICAL
DATA
SHEET



BRISTAN

D3