

AL 3TH WMBF C

ALTUM Tap Range Altum 3 Tap Hole Wall Mounted Bath Filler Chrome



Features:

- Long life 1/4 turn ceramic disc valves for added durability and smooth control.
- A hard-wearing, flawless, scratch resistant chrome finish that lasts for years. Salt spray tested to ensure added durability.
- 10 year parts and 1 year labour guarantee for peace of mind.
- Also available in other finishes.

Product Certifications:



WRAS Cert. Number: 250703313
WRAS Expiry Date: 31/07/2030

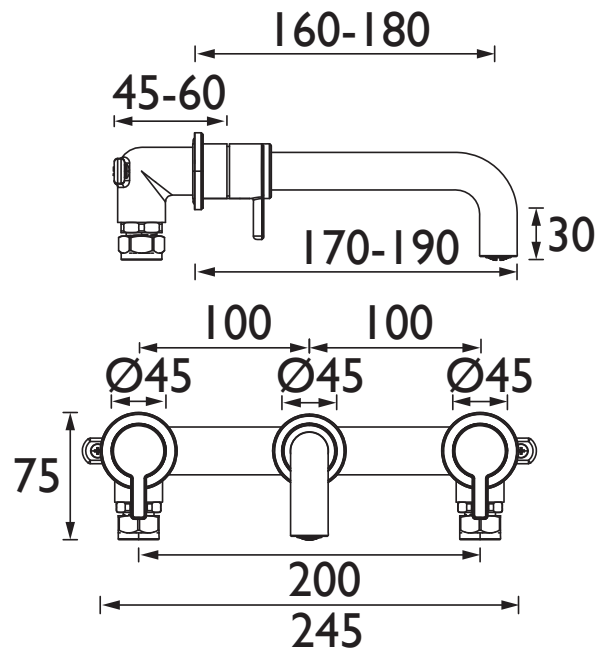
For more products, visit our website:
<http://www.bristan.com>



Specification

Product Type:	Bathroom Taps
Main Construction Material:	Brass
Mount Type:	Wall
Handle Type:	Paddle
Connection Inlet:	15mm Compression
Connection Outlet:	M18 Flow Straightener
Number of Tap Holes:	3
Valve/Cartridge Type:	1/2" Ceramic Disc Valve - 1/4 turn
Plumbing System Requirements:	Suitable for high pressure systems only
Minimum Dynamic Pressure (bar):	1 bar
Maximum Dynamic Pressure (bar):	5 bar
Maximum Hot Water Temperature °C:	60°C
Maximum Static Pressure (bar):	10 bar
Flow Type:	Single Flow
Isolation Included:	No

Dimensions (measurements in mm)



Flow Rates (l/min)

System Pressure (bar)	1	2	3	4	5
AL 3TH WMBF C (hot)	10.3	14.9	18.2	20.9	23.4
AL 3TH WMBF C (cold)	8.5	12.2	15	17	19
AL 3TH WMBF C (mixed)	17	24.3	29.8	34.4	38.5

TECHNICAL DATA SHEET



BRISTAN

D3