

# AL ES BAS C

## ALTUM Tap Range Altum Eco Start Basin Mixer Chrome



### Features:

- Eco Start technology saves energy by having cold water as the default central start position of the tap handle. Hot water is only activated when the tap lever is moved from the central position, so your boiler is not unnecessarily fired up.
- This tap has a flow regulator, which limits the flow of water to 5 litres per minute, reducing the amount of water you use.
- Long life ceramic cartridge for added durability and smooth control.
- A hard-wearing, flawless, scratch resistant chrome finish that lasts for years. Salt spray tested to ensure added durability.
- Everything you need in the box including flexible tails.

### Product Certifications:



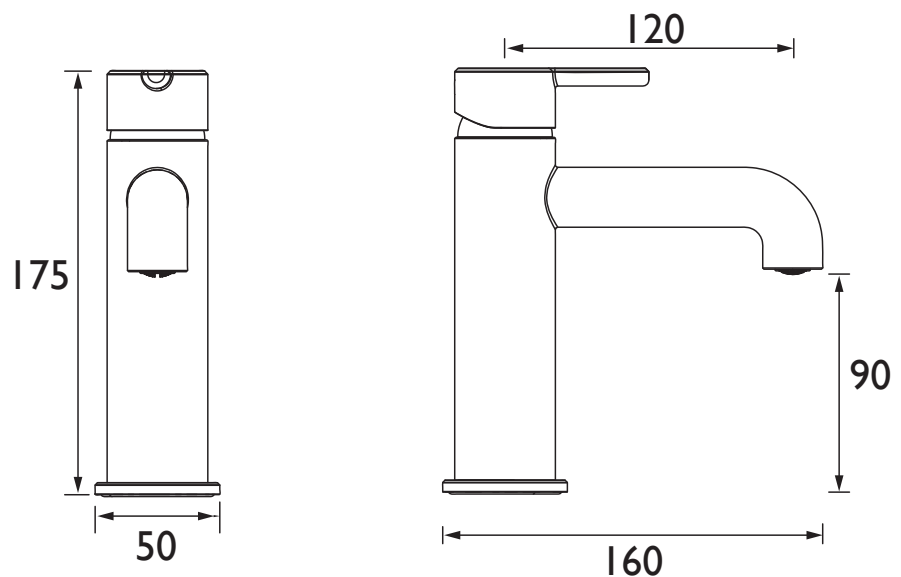
WRAS Certificate No: 250703304  
WRAS Expiry Date: 31/07/2030



### Specification

Product Type:	Bathroom Taps
Main Construction Material:	Brass
Mount Type:	Deck
Handle Type:	Lever
Connection Inlet:	1/2in BSP Flexible Tails
Connection Outlet:	M18 Aerator 5lpm Flow Limiter
Number of Tap Holes:	1
Valve/Cartridge Type:	Top Start Eco Start Cartridge
Plumbing System Requirements:	Suitable for all plumbing systems
Minimum Dynamic Pressure (bar):	0.5 bar
Maximum Dynamic Pressure (bar):	5 bar
Maximum Hot Water Temperature °C:	65°C
Maximum Static Pressure (bar):	10 bar
Flow Type:	Single Flow
Isolation Included:	No

### Dimensions (measurements in mm)



### Flow Rates (l/min)

System Pressure (bar)	0.5	1	2	3	4	5
AL ES BAS C (hot)	2.6	3.6	4.4	4.2	4.3	4.4
AL ES BAS C (cold)	2.6	3.6	4.4	4.2	4.3	4.5
AL ES BAS C (mixed)	2.5	3.5	4.2	4.3	4.5	4.5

## TECHNICAL DATA SHEET



# BRISTAN

D2