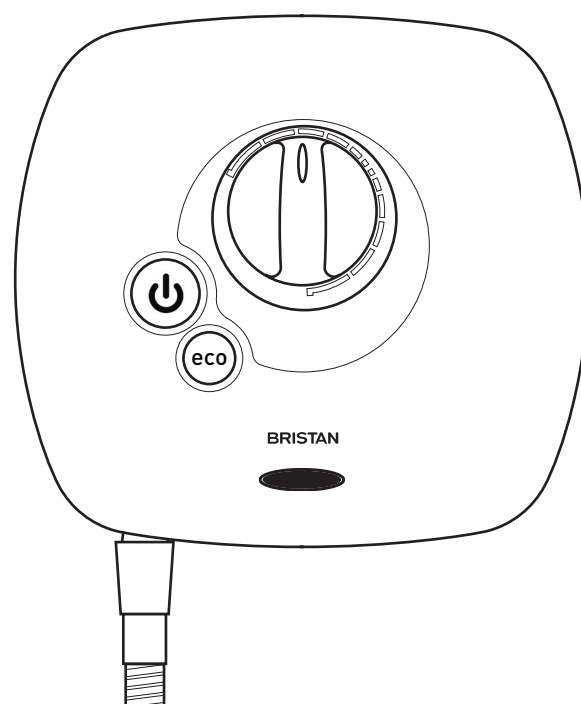


BRISTAN

Installation Instructions and User Guide

Thermostatic Power Shower 1500



Please keep this booklet for future reference.

Installer, when you have read these instructions please ensure you leave them with the user.

Contents

Important safety information	3
Product features.....	4
Electrical requirements	5
Water requirements	6
Fitting your shower.....	7
Fitting the riser rail	9
Commissioning - testing the system.....	11
Operating the shower.....	12
Adjusting the showerhead	12
Cleaning & maintenance.....	12
Troubleshooting.....	13
Spare parts	14
Guarantee	15
Service policy	15

Important Safety Information

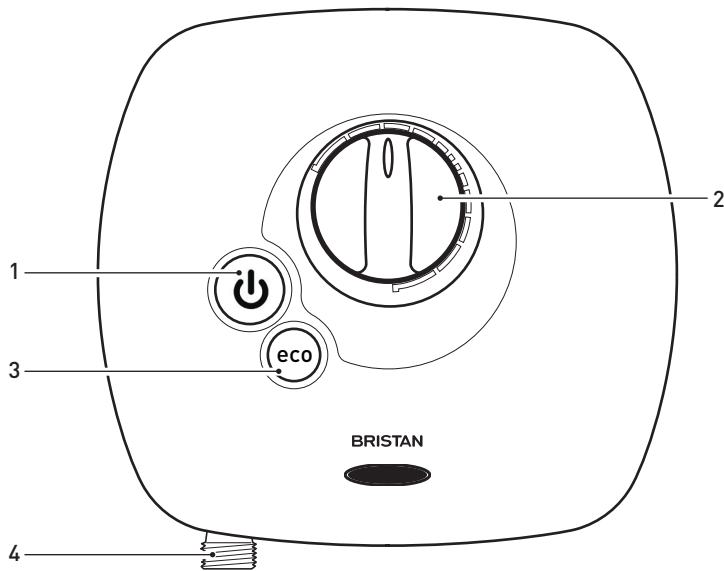
- Please read these instructions thoroughly and retain for future use.
- All products manufactured and supplied by Bristan are safe provided they are installed, used correctly and receive regular maintenance in accordance with these instructions.
- If you are in any doubt whatsoever about your ability to install this product safely you must employ the services of an experienced qualified plumber.
- Do not operate the shower unit if you suspect it is frozen. Do not site the shower unit where it might be subjected to freezing conditions.
- Do not operate the shower unit if the showerhead or spray hose has been damaged or is blocked.
- Do not block the flow of water from the showerhead, by placing it (smothering it) on your hand or any other part of your body or foreign object.
- Do not operate the shower if the water stops flowing during use or if the water is leaking from the shower unit

General Safety

- Always switch off the power at the consumer unit and remove the correct circuit fuse before making any electrical connections or if you have to remove the cover of an installed unit.
- The unit must be mounted on the finished wall surface (usually tiled). Under no circumstances must you tile up to the unit after fixing it directly to the bare wall as this may cause overheating.
- If the shower unit is fitted in a hard water area, a scale inhibitor may have to be fitted and the filter cleaned regularly. For more advice on obtaining a scale inhibitor, visit local merchant or DIY store.
- This appliance is not intended for use by persons (including children) with reduced physical, sensory or mental capabilities, or lack of experience and knowledge, unless they have been given supervision or instruction concerning use of the appliance by a person responsible for their safety.
- Children should be supervised to ensure that they do not play with the appliance.



Product Features



1. Push Button STOP/START Switch

Electronic switch

2. Temperature Control

Adjustable Temperature Control

3. Eco Button

Non-powered shower

4. Hose outlet

Shower hose outlet

Removing cover

1. Temperature Control handle

2. Graphic Ring

3. Logo

4. Screws (x3)

Please note that this product comes packaged with the front cover and control knobs already in place. These have to be removed to install the shower. Please follow the procedure below.

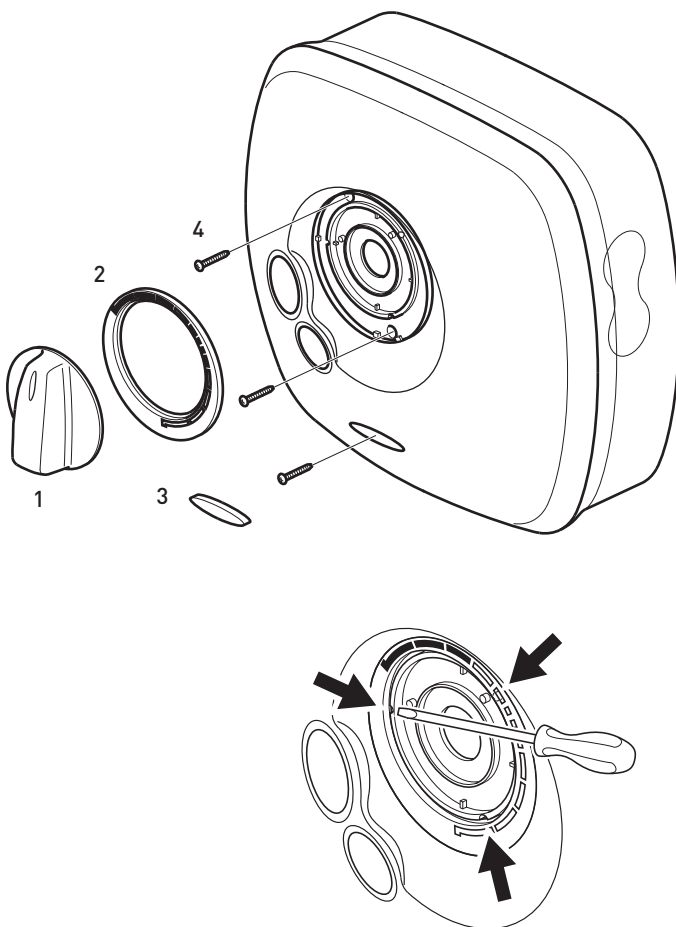
Pull off control knob (1).

To remove the graphic ring (2) which surrounds the main control knob, insert a thin bladed screwdriver into the recess (arrowed) gently prise off the ring, revealing two fixing screws.

Remove lower logo (3) by inserting a thin bladed screwdriver in the slot, to reveal the lower fixing screw.

Remove all three fixing screws (4). The cover can now be slowly removed - care should be taken not to strain wiring which is attached to the front cover.

This procedure can be reversed to replace the front cover and control knob after installation to the wall.



Electrical Requirements

Warning: This appliance MUST be earthed!

All electrical wiring for the shower must comply with the current I.E.E. Regulations which includes earth-cross bonding to all metal pipe work.

Important:

All plumbing connections should be completed before any electrical connections are undertaken.

The shower must be connected to a 230/240 volt. A.C. electrical supply from a 13-amp ring main, via a fused double pole switch with at least 3mm contact separation. The switch is to be clearly identifiable, a minimum distance of 2.5m from a fixed tap or shower, i.e. mounted in an adjacent room or via a ceiling-type pull cord. It should be fused at no more than 3 amps.

This appliance must be earthed, and all associated metal pipe work earth crossbonded in line with current I.E.E. regulations.


As the colours of the wires in the cable (not supplied) used to connect to this appliance may not correspond with the coloured markings identifying the terminals in your switch, please follow the procedure below:

Please use the cable entry point provided. Failure to comply will eliminate any BEAB approval.

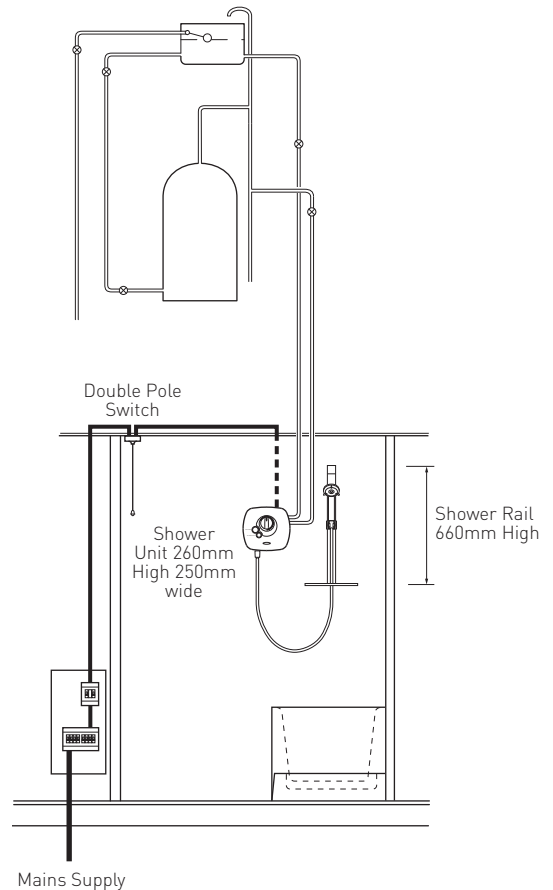
Procedure

The wire, which is coloured Blue or Black, must be connected to the terminal that is marked with the letter N.

The wire, which is coloured Brown or Red, must be connected to the terminal that is marked with the letter L.

The wire, which is coloured Green or Yellow, must be connected to the terminal that is marked with the earth symbol .

The installation and wiring must comply with I.E.E regulations.



Typical Power Shower Installation

Water Requirements

Under no circumstances must the Power Shower be connected to the mains cold water supply, or to a combination boiler, or pressurised hot water system.

For correct operation of the Bristan Thermostatic Power Shower both hot and cold supplies to the unit must be gravity fed, at nominally equal pressures, from a cold water storage tank and hot water storage cylinder.

We recommend a minimum 112 litre (25 gallons) cold water storage tank. Please ensure compliance with all Water Regulations.

Please ensure maximum supply head of 10 metres, minimum 1 metre.

Please note, when using this unit in 'gravity' shower mode, without the boost button depressed, ensure you have a minimum of 1 metre head from your shower head to the bottom of your cold water tank.

It is recommended that the hot water supply is at a temperature of 60°C, in line with British Standard 6700, British Water Regulations, and Plumbing Code of Practice.

Do not use jointing compounds, or solder within 300mm of the unit.

Before proceeding with the installation of this unit, check that your site requirements allow the shower unit and handset when positioned on the wall to be a minimum of 1 metre below the cold water storage tank.

All plumbing should be completed before any electrical connections are undertaken.

The unit can be connected to a cylinder system providing it has cold water storage capacity of 112 litres (25 gallons).

Do not run shower dry as this will damage the internal seals and invalidate the warranty.

All pipe work into the unit should be 15mm. Non-restrictive isolating valves must be fitted on hot and cold supply pipes. When connecting pipe work avoid using elbows: sweep or formed bends will ensure optimum performance.

Do not position unit in areas subjected to freezing conditions.

The temperature of your stored water must not exceed 65°C. A stored water temperature of 60°C is considered sufficient to meet all normal requirements in line with the British Standard 6700.

Warning - All connecting pipe work should be earthed.

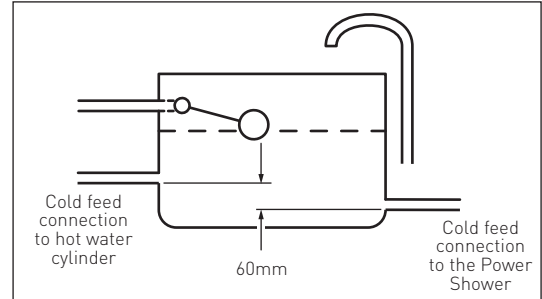
Procedure - Plumbing Connections.

Isolate mains water and electrical supplies. To empty the pipe work open the hot and cold water taps.

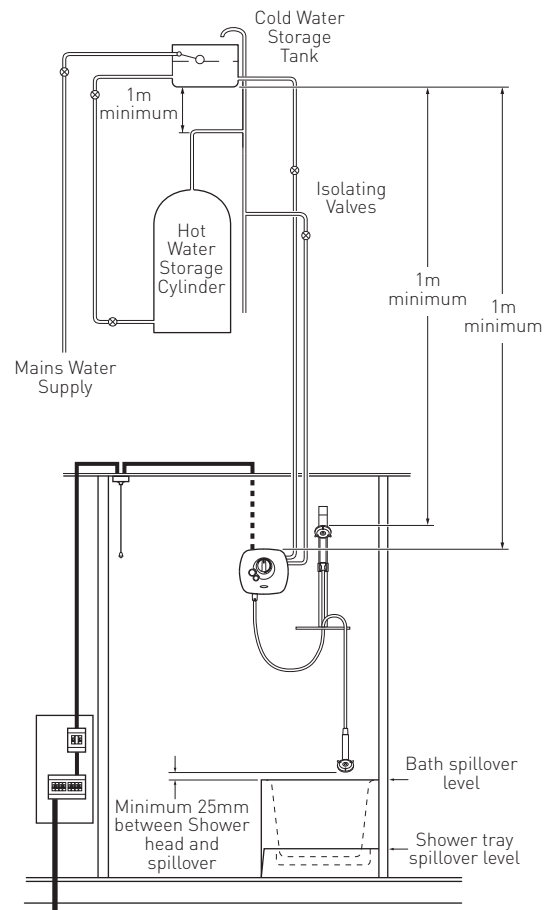
Make your connection into the hot water supply pipe from the cylinder, ensuring that it is the first draw-off (below the expansion pipe tee) to minimise the effects of water draw offs elsewhere in the house, and a minimum of 1 metre from the base of the cold storage tank and the top of the hot water cylinder. If this is not possible, a direct connection must be made from the hot water cylinder with a cylinder flange.

The cold water supply should be taken directly from the cold storage tank, and must be positioned 60mm below the cold feed connection to the hot water cylinder. This should not be directly beneath the ball valve as aeration of the water going to the shower could cause pump damage.

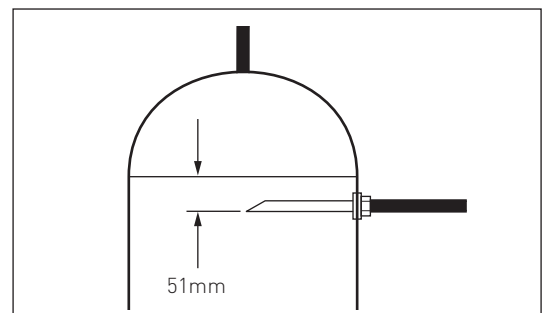
Run hot and cold pipe work to the unit position.



Water tank detail



Typical Power Shower Installation



Cylinder Flange

Fitting your Shower

Fitting the Shower

We recommend that the shower unit is fitted at chest height, and set to one side of the intended riser rail position, ensuring that the top of the shower unit is at least 1 metre below the base of the cold water storage tank.

Important: The unit must be fitted on the finished tiled surface

Warning: Do not seal the edge of the shower unit to the tiled surface with any form of sealant. The gap between the back of the shower unit and the tiles is needed for ventilation.

The outlet connection for the hose should be sited at the bottom of the unit.

Do not fit a fuse or switch on mains electrical supply until all plumbing work is completed. Connecting pipework can feed from above or below the unit, or straight through the wall at nominal centres of 40mm.

Side Feed = Hot on the bottom/cold on the top

Back Feed = Hot on the bottom/cold on the top

Procedure:

The integral fittings on the valve are of the self-seal push-fit type. Ensure that all burrs are removed from the ends of the supply pipes. Where chromium plated pipe is used then the first 25mm of chrome must be roughened or removed to ensure that the push fit fittings in the supply retain the pipe in position.

The inlet elbows supplied are of a standard length, in some cases these will need to be shortened for correct installation.

Surface Mounting

If exposed pipe work is the chosen option, the pipes enter the unit on the right hand side with the cold on the top. The pipe centres are 40mm apart, and need to penetrate the mixer connections to a depth of 25mm.

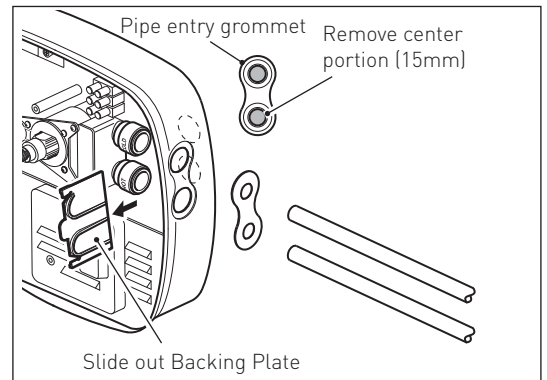
Position the unit on the wall and mark the fixing hole positions. Drill the wall, insert the wall plugs supplied, and secure the unit to the wall. Make the necessary measurements, remove the unit from the wall, and bring the pipe work and wiring to finished positions.

Make the hot water connection into the hot water supply pipe from the cylinder, ensuring that it is the first draw off (below the expansion tee), to minimise the effects of water drawn off elsewhere in the house, and a minimum of 1 metre below the base of the cold water storage tank. If connection to the hot water storage pipe is not possible, a cylinder flange type connection may be used.

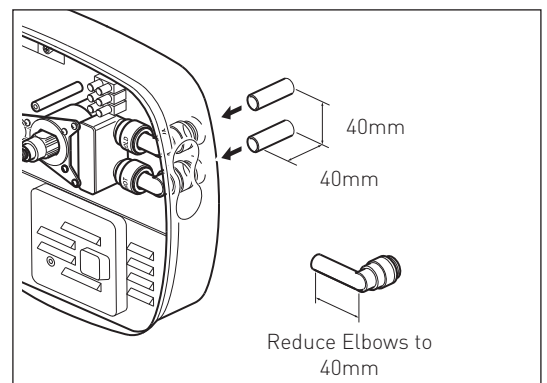
Make the cold water connection into the base of the cold water storage tank, 60mm below the level of the cold water take off to the hot water cylinder.

Flush out the pipe work.

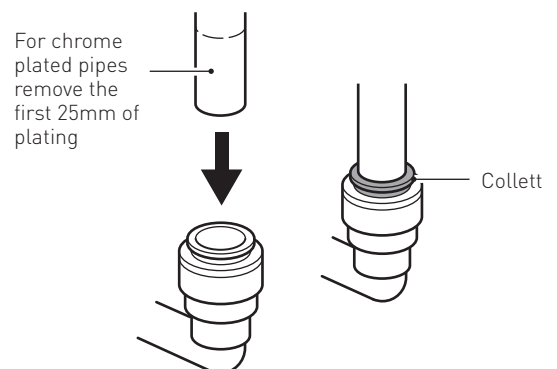
Detach the pipe entry grommet and, using a sharp knife or similar, remove the centre (15mm dia.) portions, and refit the grommet.



Side Feed



Back Feed



Fitting your Shower

Fit the shower unit over the pipe work, and insert the mains wiring through the aperture at the top of the base moulding. Ensure that the supply pipes are fully inserted into the mixer valve 'push fit' connections, and fix to the wall.

Connect the wiring in line with the polarity indications moulded into the base unit.

Recessed Fitting Pipework

If the pipe work is to be recessed, it should be let into the wall with the ends of the hot and cold pipes standing 40mm off the finished surface of the wall, and centres 40mm apart, with the cold above the hot. Connections to the hot and cold water supplies should be made as described above, knocking out inlet holes in rear of unit.

Position the unit on the wall with the inlet pipes centred in the holes in the rear of the base moulding, mark the fixing screw positions on the wall and remove the unit.

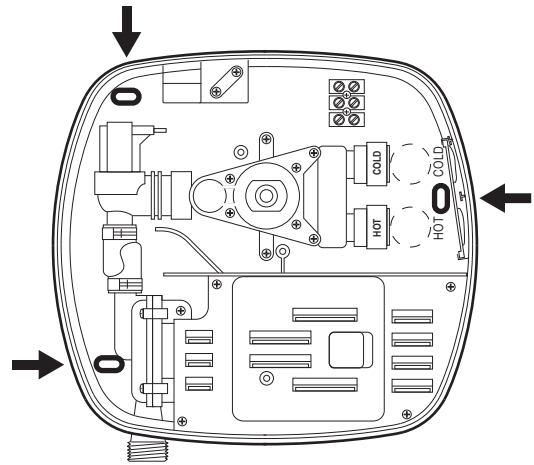
Drill the fixing screw holes and insert the wall plugs supplied.

Cut the plastic inlet elbows supplied to 40mm long from the centre of the elbow, and remove any burrs from the cut end. Fit the cut inlet elbows into the push-fit connectors on the shower mixer valve.

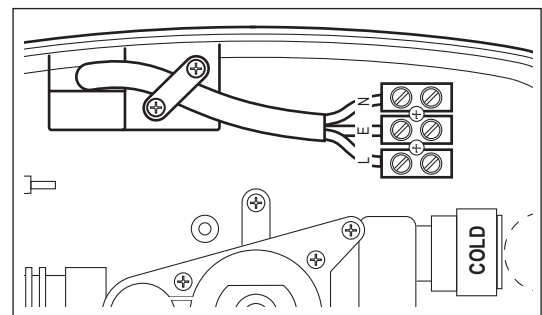
Flush out the pipe work.

Fit the shower unit over the pipe work, and insert the mains wiring through the aperture at the top of the base moulding. Ensure that the supply pipes are fully inserted into the mixer valve 'push fit' connections, and fix to the wall using the fixing screws supplied.

Connect the wiring in line with the polarity indications moulded into the base unit.



Hole Fixing Positions



Wiring Connections

Fitting the Riser Rail

1. Mark the position


Position the assembled riser rail on the wall, bearing in mind the different heights of people likely to use the shower and the length of the hose when connected to the shower.

With the riser rail vertical, mark the wall bracket positions onto the wall.

Release the slider handle and remove the slider and wall brackets from the rail.

2. Attach wall brackets

Position the wall bracket fixings in the marked positions against the wall, ensure they are vertically in line with each other and mark the centres of the fixing holes onto the wall.

Warning: Please check for any hidden pipes and cables before  drilling holes in the wall.

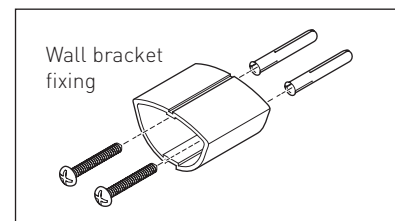
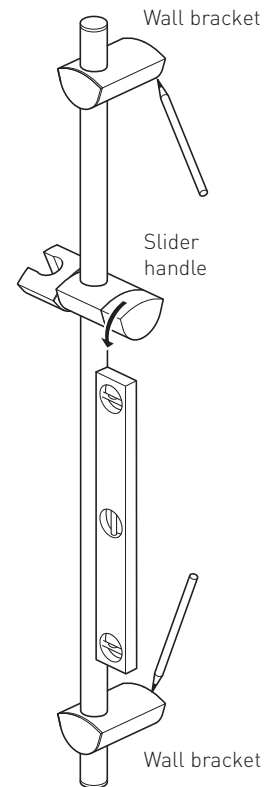
Drill suitable holes and insert the wall plugs. Securely attach the wall bracket fixings to the wall using the screws.

Tips: A piece of insulation or masking tape positioned where holes are to be drilled and before marking out the exact position for the fixing holes will help stop the drill bit from wandering, particularly on a tiled surface.

When working near a basin, bath or shower insert plug or cover waste to prevent losing small parts.

Take care not to drop tools/equipment into basin, bath or shower during shower installation.

Note: If replacing an existing riser rail, check to see if the existing holes can be reused or covered by the new wall brackets. Try to avoid drilling close to the edge of tiles, drill in the middle of the tiles or in the tile joints.



Fitting your Riser Rail

3. Insert rail clamps

Insert the rail clamps into both wall brackets, ensuring the screw is accessible.

4. Insert riser rail

Push the riser rail up through the bottom wall bracket.

Push the soap dish and slider down onto the riser, ensuring they are the correct way up.

Then push the top wall bracket down onto the riser rail.

5. Tighten rail clamps

Centre the riser rail within the wall brackets and tighten both clamps onto the rail.

6. Fit wall bracket fixings

Position the wall bracket fixings onto the wall surface and mark the position. Drill suitable holes and insert the wall plugs. Secure the wall bracket fixings to the wall using the screws provided.

7. Fit riser rail to the wall

Slide the wall brackets over the wall bracket fixings. Tighten the grub screw on the under side of each wall bracket using a 2.5mm hexagonal key.

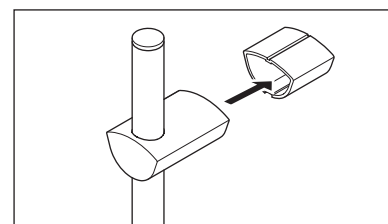
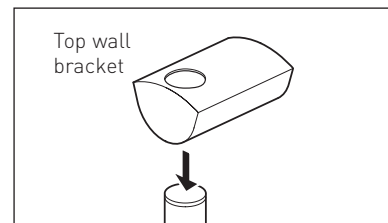
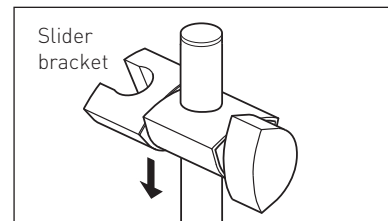
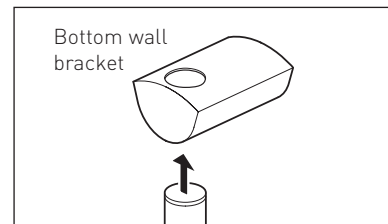
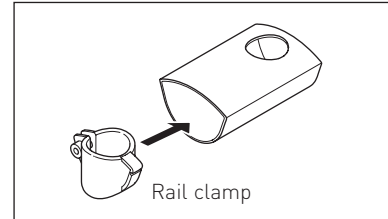
8. Connect shower hose to shower

Screw the shower hose (ribbed nut end) onto the shower ensuring that the rubber washer is fitted and feed the hose through the hole in the soap dish.

9. Connect shower hose to showerhead

Screw the shower hose (conical end) onto the showerhead ensuring that the rubber washer is fitted.

Place the showerhead into the slider.



Commissioning - Testing the System

Connect the shower hose to the unit but do not fit the handset.

Turn on the hot and cold isolating valves, and the electricity-isolating switch. Place the open end of the hose in the bath or shower tray.

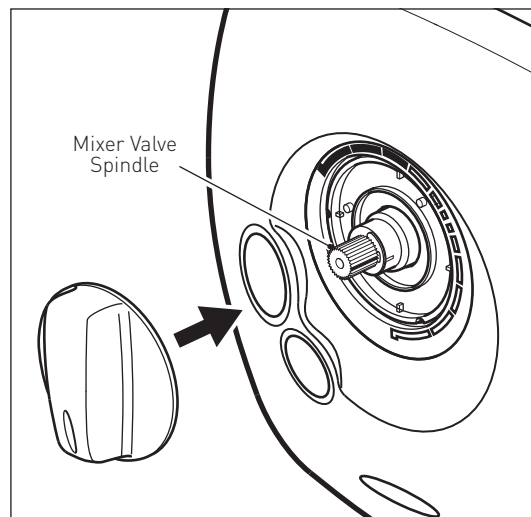
Set the temperature control knob to cold, fully clockwise, and press the 'stop/start' button.

Cold water will run from the hose, and you should allow this to continue for two minutes after which the control knob should be returned to the '12 o'clock' position. Allow the water to run for a few minutes to stabilise the hot water flow, and then check that the water is at a comfortable showering temperature.

If it is too hot or cold, turn off the electricity-isolating switch, pull off the control knob, and adjust the brass spindle anti-clockwise to increase the temperature - clockwise to decrease. Replace the knob in the '12 o'clock' position, switch the electricity on, and check the water temperature. Readjust as necessary until a satisfactory temperature is achieved.

Pass the shower hose through the hole in the soap dish and, using the rubber sealing washer supplied, fit the handset to the hose and place the handset in the handset holder.

Press the Stop/Start button. Water flows from the shower head under the gravity pressure from the storage tank. The 'Eco' button allows you to switch from a power shower to a gravity (non-powered) shower.



Temperature Adjustment

Temperature Adjustment

The valve allows the maximum showering temperature to be set at a safe level, preventing accidental scalding. This setting should be made during commissioning and will require that the hot water cylinder is at its normal operating temperature.

IMPORTANT:

The handset must be in the spray mode.

We recommend the reading of User Instructions before proceeding further. This will familiarise you with the operation of the shower.

Turn the brass mixer valve spindle fully clockwise, and then anti-clockwise until the black line on the spindle is aligned with the groove on the mixer body, and fit the control knob in the fully cold position. Check that it is correctly fitted by turning fully clockwise to the stop, pull the knob off and check that the black line and groove are aligned. Adjust if necessary. This sets the shower temperature to 38-40°C, with the control knob pointing to '12 o'clock', if the stored hot water is at the recommended 60°C.

Operating the Shower

To operate the shower ensure the temperature control knob (1) is set approximately to the 12 o'clock position and press the Stop / Start button (2).

Adjust the shower temperature by turning the knob anti-clockwise - towards red, for warmer temperature, and clockwise - blue, for cooler.

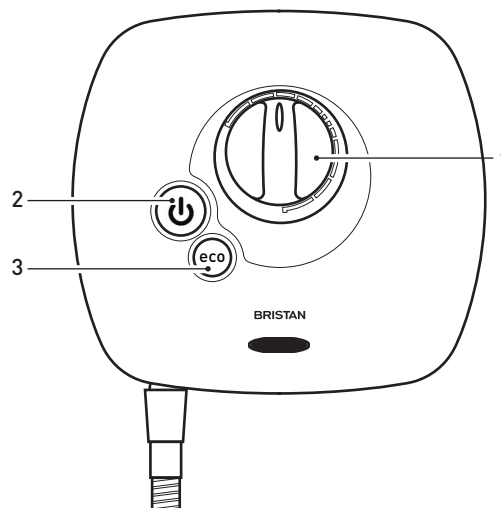
Setting the knob in the same position in future will give the same showering temperature.

If a less powerful shower is required, press the Shower Eco button (3).

The handset holder has a friction grip on the rail and simply slides up and down to adjust the height. The angle of the handset in the holder has 5, spring loaded positions. To adjust, grip the handset handle next to the hose nut, and move it to it's required position.

Cleaning

Do not at anytime use bath cleaning liquids, powders or specified scratch cleaners on any surface finishes. In order to avoid surface wear or chemical attack on any of your shower fittings when cleaning, always use a damp cloth. For persistent stains or marks, you may use domestic liquid or soap.



Handset

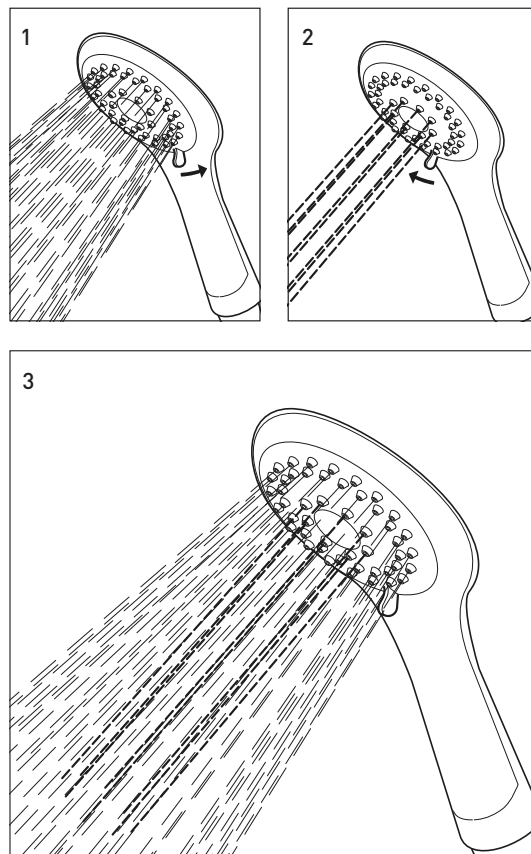
The Handset has three spray modes.

1. Spray
2. Jet spray
3. Combination spray


To select the desired showering mode, simply rotate the spray head one way or the other to the desired spray pattern.

Cleaning - Rub-clean feature

To remove any build up of limescale from your handset, remove it from its holder and rub your fingers over the rubber spray jets. Turn the shower on and any build up of limescale will be flushed out of the handset.



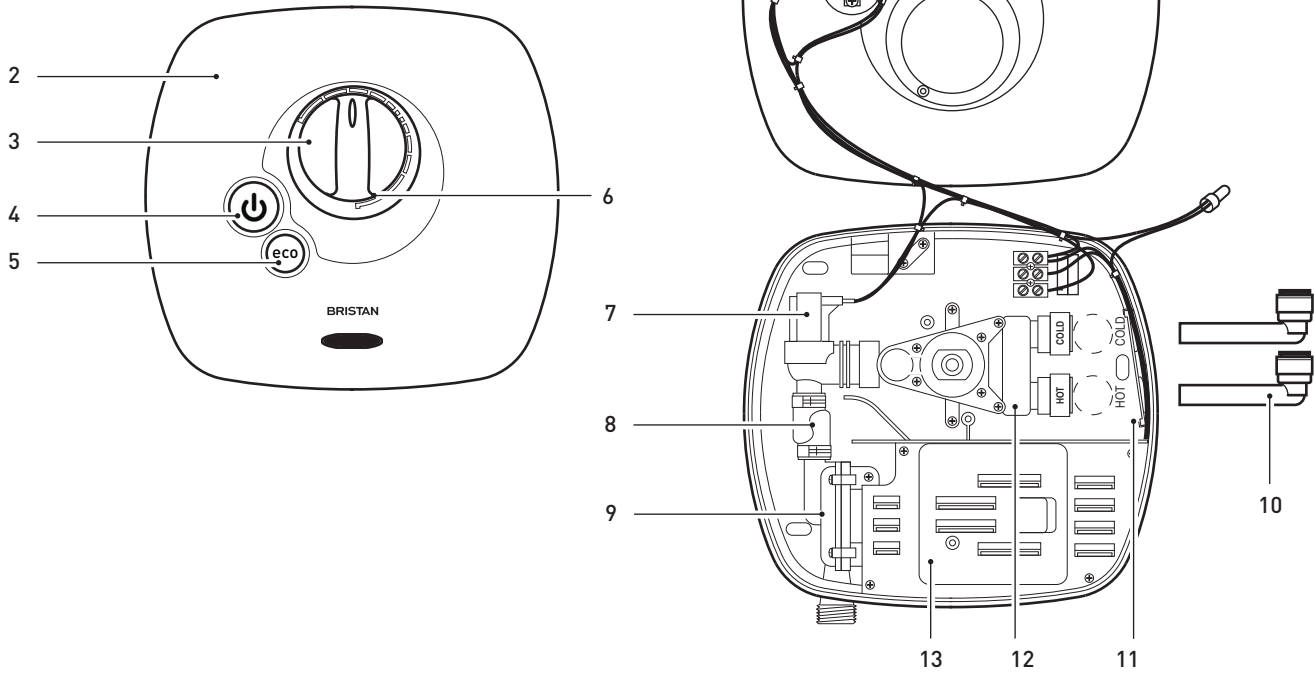
Troubleshooting

 **Warning:** Before carrying out general repairs or testing the shower, ensure that the electricity supply is turned off at the mains and the correct circuit fuse is removed.

Symptom	Likely Cause	Action/Remedy
Shower not operating	Electric is not switched on	Check all fuses and electrical supply.
No water flow (Hot or Cold)	Isolating valves turned off	Check isolating valves are turned on Check cold-water storage tank has not run dry
Poor performance	Restrictions in water supply Pump may have overheated Unit may be incorrectly installed Blockage in handset or shower hose	Check both hot and cold isolating valves are fully open Allow unit to cool and it will automatically re-set Check for adequate ventilation Check that the top of the shower unit is at least 1 metre below the base of the cold water tank Check and clean as necessary

Spare Parts

1 Parts (2-12)



No.	Part No.	Description	No. Off
01	SP-087-0105-WT	Base assembly	1
02	COV SP-087-0507 W	Front cover	1
03	SP-087-0505-WT	Temperature control knob	1
04	SP-087-0503-WT	Stop/start button	1
05	SP-087-0504-WT	Shower Eco button	1
06	SP-490-0014	Front cover screws	3
07	SP-087-0230	Solenoid	1
08	SP-087-0127	Pipe connection	1
09	SP-087-0110	Pump unit	1
10	SP-086-0060	Long Inlet Elbow	2
11	SP-087-0091	TPE Cover	1
12	SP-087-0154	Mixer valve assembly	1
13	SP-087-0097	Motor Cover	1
14	SP-087-0129	Latching Switch#	1

Not shown

Guarantee

Guarantee

Thank you for purchasing a Bristan product. This product has been designed and tested, in the UK, to the highest standards.

Guarantee: 2 Year parts.
1 Year labour (subject to registration).

This guarantee applies to products purchased within the United Kingdom or Republic of Ireland, but does not apply to products used commercially.

This is provided that:

1. The guarantee registration card is completed and returned within ten days complete with a copy of proof of purchase. Proof of purchase is required for any servicing requirements.
2. The product is installed and operated in accordance with our instructions and has not been misused or damaged.

This in no way affects your statutory rights as a consumer.

The information on the Guarantee card helps Bristan to process any claims and contact you about your product and its maintenance if required. The registration of your personal details is purely for Bristan use and the remaining information helps us to make products for the future.

Should a complaint arise, products are guaranteed against faulty workmanship and materials for a period of 12 months from the date of purchase, when in domestic use (second year guarantee is parts only). For your guarantee to be valid, your shower must be installed by a competent person, in accordance with the instruction manual.

Bristan will repair or replace (at our option), free of charge, any faulty components during the guarantee period, provided it has been maintained and operated in accordance with our instructions, and has not been misused or damaged.

Modification or repair of this product by person(s) not authorised by Bristan will invalidate this guarantee.

This guarantee does not affect your statutory rights.

Service Policy

Replacement Parts Policy

Important:

In the event of product or component malfunction, DO NOT tamper with or remove the product from site. Telephone the Customer Services Department and be prepared with the date of purchase, model number and a clear description of the complaint.

Our service staff are fully qualified to advise on correct installation procedures and will be able to diagnose whether the fault will require a replacement part or a visit from a Bristan engineer.

If required, a service call will be booked and either yourself or an appointed representative (who should be a person of 18 years or over) must be present during the visit.

All site visits to product within the guarantee period will be carried out free of any parts or labour charges provided the conditions of the guarantee have been adhered to (the second year guarantee is parts only).

All site visits to product out of guarantee will be subject to charges for parts and labour. Charges will also be levied on cancelled appointments, unless advised to Bristan at least 24 hours in advance of the agreed date and time.

Should a product be discontinued, spare parts stocks will be maintained, but in the event of a part becoming unavailable Bristan reserve the right to supply a substitute of equal quality.

For spare parts please contact Customer Services or via the Bristan website.

Opening times: Please refer to the Bristan website.

Customer Service:

Tel: 0844 7016273 • Fax: 0844 7016275

E-mail: enquire@bristan.com

Issue POW SHX 1500 D4

BRISTAN

Bristan Group Ltd.
Birch Coppice Business Park
Dordon
Tamworth
Staffordshire
B78 1SG
Web: www.bristan.com
Email: enquire@bristan.com

A Masco Company