

AFTERCARE INSTRUCTIONS

Your fitting has a high quality finish and should be treated with care to preserve the visible surfaces. All surface finishes will wear if not cleaned correctly, the only safe way to clean your mixer is to wipe with a soft damp cloth. Stains can be removed using washing up liquid. All bath cleaning powders and liquids will damage the surface of your fitting even the non-scratch cleaners.

GUARANTEE

All products are manufactured to the highest standards and a 5 year guarantee covers any defect in manufacture. As gold and special effect finishes are softer than chromium plate, special care must be taken when cleaning; a 3 year guarantee covers these finishes.

NOTE: The 5 year guarantee on the valve is invalidated if damaged by any waterborne debris.

In the interests of continuous product development we reserve the right to alter specification as necessary.

PRODUCT CODE: J BASSW C
TELEPHONE HELPLINE: 0844 701 6273

Bristan Group Ltd
Birch Coppice Business Park
Dordon
Tamworth
Staffordshire
B78 1SG
UK
A Masco Company

Web Site: www.bristan.com
Telephone: 0844 701 6273
Facsimile: 0844 701 6275
Email: enquire@bristan.com

(FI J BASSW)

(Rev. D1)

(H)

BRISTAN

Java Single Lever Basin Mixer (With Side Action Waste)

Fitting Instructions & Contents List

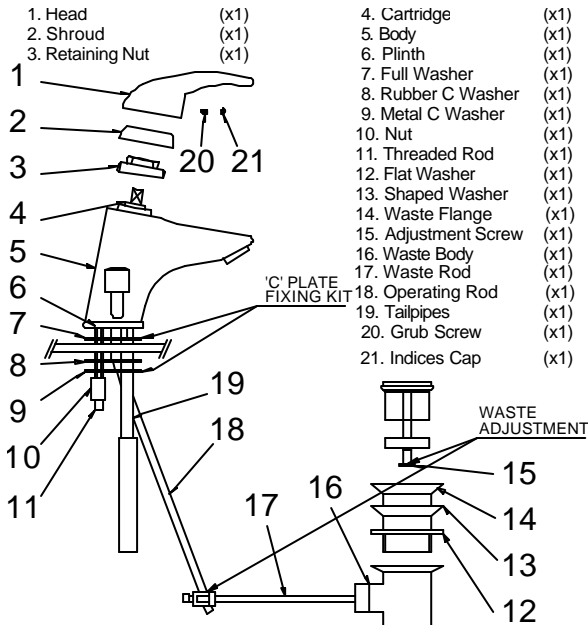
Please keep these instructions for future reference and for the ordering of spare parts

WATER PRESSURE

This mixer is suitable for use at all supply pressures. However for optimum use both the hot and cold supplies should be reasonably balanced. If the fitting is installed at low pressure (tank fed), then the minimum distance from the outlet of the nozzle to the underside of the cold tank should be approximately 2.0 metres to ensure adequate performance.

This mixer should be installed in compliance with Water Regulations. Where the supplies are unbalanced, i.e. hot water from the cylinder tank/cold from the mains, approved check valves must be fitted in supply pipes. For further details contact your Local Water Authority.

CONTENTS



INSTALLATION

1. Identify all components and check for completeness, particularly before arranging fitting.
2. Fit the mixer body (5) to the basin using the 'C' plate fixing kit. The plinth (6) and full rubber washer (7) go between the fitting (5) and the basin, and the 'C' shaped rubber (8) and metal washers (9) on the underside of the basin.
3. Fit the inlet connection tail pipes (19) to the fitting and connect the hot and cold supplies.
4. Fit the pop up waste, with washer (12) below and washer (13) above the basin. It is recommended that a silicon sealant be applied to both sealing faces of the washers. The plug height can be set by, adjusting the waste rod (17) and operating rod (18) connecting bracket, and the screw (15) in the base of plug.
5. Fully open the mixer in the mid position, letting it run for a few minutes to check all joints and connections for leaks.
6. See over the page for aftercare instructions.

MAINTENANCE

If the fitting begins to drip:

1. Turn off the water supply.
2. Remove indices cap (21), loosen grub screw (20) with 2.5mm hexagon key and pull off head (1), unscrew retaining nut (3).
3. Remove cartridge (4).
4. Clean or replace cartridge, clean and grease seal and refit.

Note: that there are locating pins on the bottom of the cartridge that fit in holes inside the tap, to ensure it is fitted the right way round.

5. Replace cartridge and head and turn on the water supply.
6. Contact our helpline if problem persists.

Please note: In the unlikely event you find a part missing please contact our Customer Service Helpline on 0844 701 6273 or email enquire@bristan.com for immediate dispatch of part.