

## **AFTERCARE INSTRUCTIONS**

Your fitting has a high quality finish and should be treated with care to preserve the visible surfaces. All surface finishes will wear if not cleaned correctly, the only safe way to clean your mixer is to wipe with a soft damp cloth. Stains can be removed using washing up liquid. All bath cleaning powders and liquids will damage the surface of your fitting, even non-scratch cleaners.

## **GUARANTEE**

All products are manufactured to the highest standards and a 5 year guarantee covers any defect in manufacture.

**NOTE:** The 5 year guarantee on the valves is invalidated if damaged by any waterborne debris.

*In the interests of continuous product development we reserve the right to alter specification as necessary.*

**PRODUCT CODE: QST BAS2 C**

**TELEPHONE HELP LINE: 0870 4425553**

Bristan Group Ltd  
Birch Coppice Business Park  
Dordon  
Tamworth  
Staffordshire  
B78 1SG  
UK

Web Site: [www.bristan.com](http://www.bristan.com)  
Telephone: 0870 4425556  
Facsimile: 0808 1611002  
Email: [enquire@bristan.com](mailto:enquire@bristan.com)

(FI QST BAS2)

(Rev. D1)

(H)

## **Quest Basin Mixer**

## **Fitting Instructions & Contents List**

Please keep these instructions for future reference and for the ordering of spare parts.

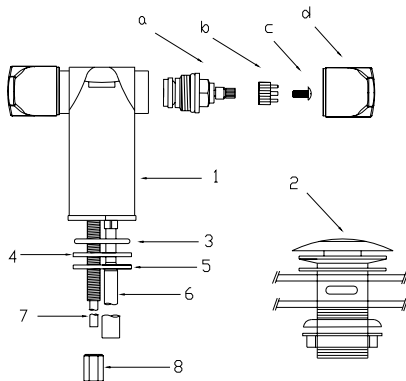
## WATER PRESSURE

This mixer is suitable for use at all supply pressures. However for optimum use, both the hot and cold supplies should be reasonably balanced. If the fitting is installed at low pressure (tank fed), then the minimum distance from the outlet of the nozzle to the underside of the cold tank should be 2 metres to ensure adequate performance.

This mixer should be installed in compliance with Water Regulations. Where the supplies are unbalanced, i.e. hot water from the cylinder tank / cold from the mains, approved check valves must be fitted in the supply pipes. For further details contact your Local Water Authority.

## CONTENTS

- 1. Mixer Body (x1)
- 2. Clicker Waste (x1)
- 3. Rubber O-Ring (x1)
- 4. Rubber C-Plate (x1)
- 5. Metal C-Plate (x1)
- 6. Copper Tail Pipes (x2)
- 7. Threaded Rod (x1)
- 8. Nut (x1)
- a. Valve (x2)
- b. Spline adaptor (x2)
- c. Screw (x2)
- d. Handle (x2)



## INSTALLATION

1. Identify all components and check for completeness, particularly before arranging fitting.
2. Install the mixer (1) into the basin. The nut (8) is used to secure the mixer to the surface of basin using the threaded rod (7).
3. Connect the hot and cold water supplies.
4. Fit the clicker waste, with the flat washer to the top surface of the basin. It is recommended that a silicon sealant be applied to both sealing faces of washers.
5. Turn on the water supplies. Turn both handles for a few minutes letting the water flow, to check all joints and connections for leaks.
6. See over the page for aftercare instructions.

## MAINTENANCE

### **If the fitting begins to drip:**

1. Turn off the water supply.
2. Remove handle (d) and then remove screw (c) by unscrewing from valve (a).
3. Also remove spline adaptor (b) to avoid damaging it.
4. Using a suitable spanner, remove valve. Once removed, carefully clean seating, rubber washer and ceramic disc.
5. Replace all of the above then turn on the water supply.
6. If problem persists contact our helpline quoting the product code.

## **PLEASE NOTE:**

In the unlikely event you find a part missing please contact our Customer Service Help line on 0870 4425553 or email [enquire@bristan.com](mailto:enquire@bristan.com) for immediate dispatch of part.