

TECHNICAL DATA SHEET



COLONIAL Basin Taps

Product Specification

Product Codes & Finishes: K 1/2 C (Chrome)
K 1/2 G (Vintage Gold)

Product Type: Traditional

Construction: Body is of Brass Construction

Valve Type: 1/2" standard valve

Supply: Suitable for all plumbing systems,

Inlet Connections: 1/2" BSP

Water Pressure: Min 0.2 bar, Max. 8.0 bar



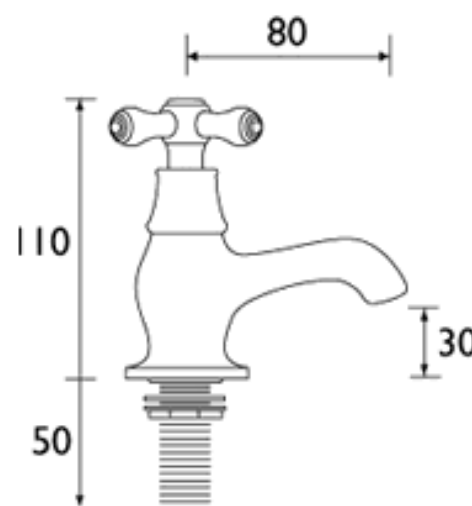
Chrome pictured

Additional Information

- Dual flow
- Supplied with metal heads
- Supplied with metal fixing nut
- Chrome plated to BS EN 248

Flow Rates (litres per minute)

System Pressure	0.2bar	0.5bar	1.0bar	2.0bar	3.0bar	5.0bar
Open Outlet	21.84	34.54	48.84	69.08	84.6	109.22

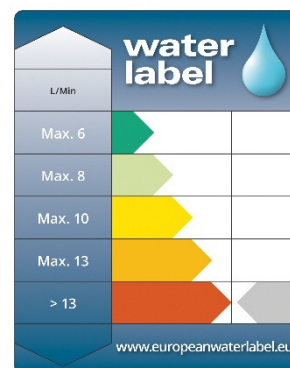


Compliance/Approvals

WRAS Approval Nos: 1312908

Technical Advice: For further information please call 0844 7016273
or email customercare@bristan.com

Guarantee: 5 years covering manufacturing faults.



Bristan, Birch Coppice Business Park, Dordon, Tamworth, B78 1SG
Telephone: 0844 701 6274 Facsimile: 0844 701 6275
Web Site: www.bristan.com Email: enquire@bristan.com



The information contained on this page was correct at date of issue. Fitting dimensions are provided as a guide only. Some variation may occur due to manufacturing tolerances. Bristan pursues a policy of continuing improvement in design and performance of its products and so reserves the right to change specifications without prior notice.