

## **AFTERCARE INSTRUCTIONS**

Your fitting has a high quality finish and should be treated with care to preserve the visible surfaces.

All surface finishes will wear if not cleaned correctly, the only safe way to clean your mixer is to wipe with a soft damp cloth. Stains can be removed using washing up liquid. All bath cleaning powders and liquids will damage the surface of your fitting, even the non-scratch cleaners. **NOTE: Never use abrasive detergents or disinfectants or those containing alcohol, hydrochloric acid or phosphoric acid.**

Bristan recommend E-Cloth for cleaning all of our bathroom & kitchen products. Using just water, E-cloth gives a smear free, deep clean by breaking up and holding dirt, which normal cloths leave behind. Order through your Bristan stockist. (ORDER CODE: ECLOTH)



## **GUARANTEE**

All products are manufactured to the highest standards and a 5 year guarantee covers any defect in manufacture.

**NOTE: The 5-year guarantee on the cartridge is invalidated if damaged by any waterborne debris.**

**All products must have access for servicing or replacement during the life of the product.**

In the interests of continuous product development we reserve the right to alter specification as necessary

**TELEPHONE HELPLINE: 0844 701 6273**

Bristan Group Limited  
Birch Coppice Business Park  
Dordon  
Tamworth  
Staffordshire  
B78 1SG  
UK  
A Masco Company  
Website: [www.bristan.com](http://www.bristan.com)  
Telephone: 0844 701 6274  
Facsimile: 0844 701 6275  
Email: [enquire@bristan.com](mailto:enquire@bristan.com)

# BRISTAN

## Deck Sink Mixer

## Fitting Instructions & Contents List



Before starting any installation project, consider 'safety' first. Look for the 'safety note' and read the safety advice.

**Please keep these instructions for future reference and request of replacement part**

# CONTENTS

<u>Description</u>	<u>Pages Numbers</u>
Water Pressure	1
VAL DSM C C 6 CD, VAL DSM C CD, VAX DSM C - Diagram & Contents	2
VAC DSM C MT, VAC DSM C NH - Diagram & Contents	3
VAC BDSM C MT - Diagram & Contents	4
VAL BRDSM C 6 CD, VAL BRDSM C CD -Diagram & Contents	5
Installation & Maintenance	6

## **WATER PRESSURE**

This mixer is suitable for use at all supply pressures. However for optimum use both the hot and cold supplies should be reasonably balanced.

**Operating Pressures: Min 0.2 bar, Max 8.0 bar.**

If the fitting is installed at low pressure (tank fed), then the minimum distance from the highest installed position of the shower head to the underside of the cold tank should be 2 metres to ensure adequate shower performance.

This mixer should be installed in compliance with the Water Regulations. Where the supplies are unbalanced, i.e. hot water from cylinder tank / cold from the mains, approved check valves must be fitted in the supply pipes.

For further details contact your Local Water Authority.

## **IMPORTANT - PLEASE READ**

**This fitting needs to be installed in accordance with the following Installation Requirements and Notes (IRN) to ensure they meet the requirements of the Water Supply (Water Fittings) Regulations 1999 and the Scottish Byelaws 2004.**

### **IRN R001**

See text of entry for Installation Requirements or Notes.

### **IRN R006**

This tap or combination tap assembly has a Type AUK3 air gap and is therefore for installation in any premises to protect against a backflow risk up to a Fluid Category 5.

Before starting any installation project please consider:

Prior to drilling into walls, check there are no hidden electrical wires, cables or water supply pipes with the aid of an electronic detector. If you use power tools do not forget:



- Wear eye protection
- Unplug equipment after use

## **INSTALLATION**

1. Identify all components and check for completeness, particularly before arranging installation.
2. If required, fit the spout into the body, remove the grub screw before fitting the spout to prevent damage to the 'O' rings, which can lead to a leak at the base of the spout. Ensure that the grub screw is replaced once the spout is fitted.
3. Fit the mixer to the sink using the gasket and backnuts, connect the hot and cold water supplies.
4. Fully open both valves, letting them run for a few minutes to flush the system.
5. Check all joints and connections for leaks.
6. See over the page for aftercare instructions.

**N.B. please write the name and product code of your fitting in the spaces provided overleaf. This will ensure a speedier service if you should need to phone the help line.**

## **MAINTENANCE**

**Sureflow** type valves: - If the fitting self-opens

1. Remove fitting head.
2. Tighten gland nut on top of valve.

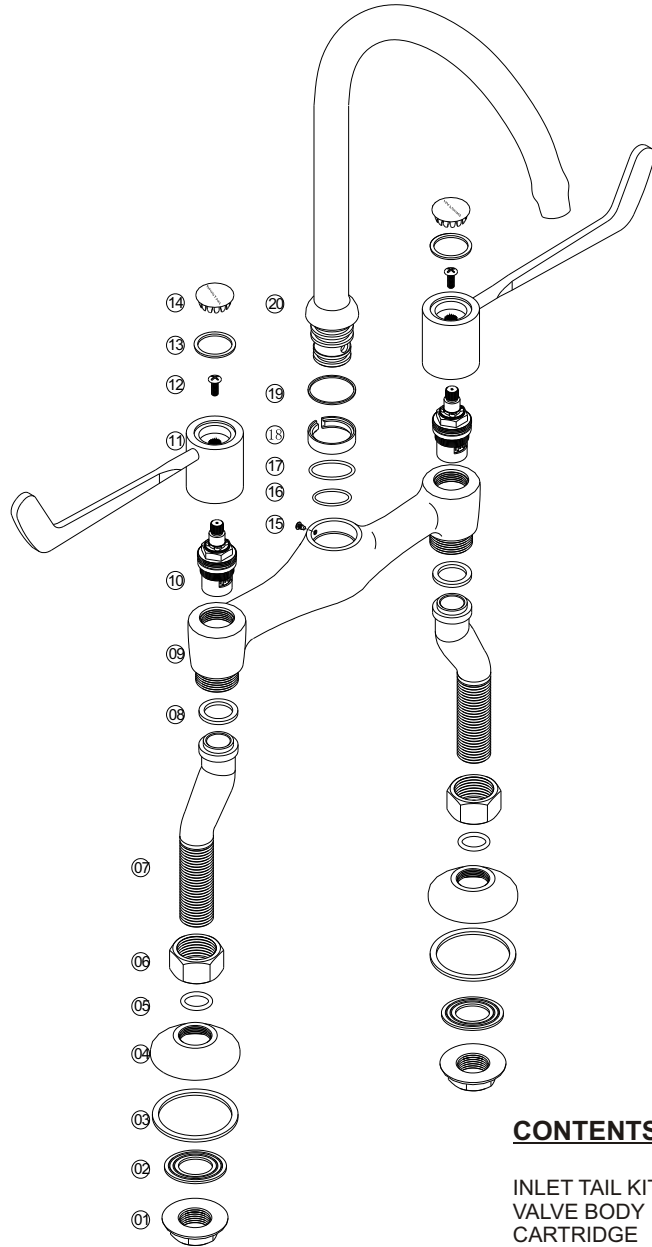
**Traditional** type valves: - If the fitting leaks from the spindle

1. Remove fitting head (if necessary).
2. Tighten gland nut on top of valve.

**All valve types:** - If the fitting begins to drip

1. Turn off the water supply.
2. Remove fitting head and valve.
3. Carefully clean seating and rubber washer.
4. Replace valve and turn on the water supply.
5. Contact our helpline if problem persists.

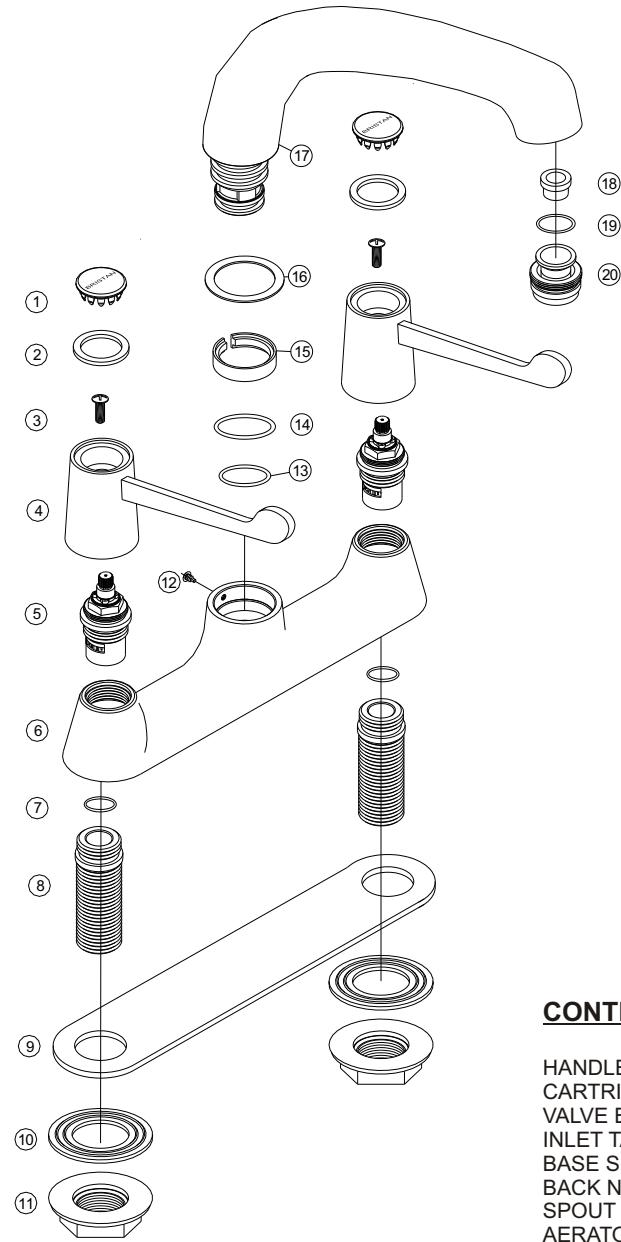
**VAL BRDSM C 6 CD  
VAL BRDSM C CD**



**CONTENTS**

INLET TAIL KIT	(01-08)
VALVE BODY	(09)
CARTRIDGE	(10)
HANDLE & INDICE KIT	(11-14)
SPOUT KIT	(15-20)

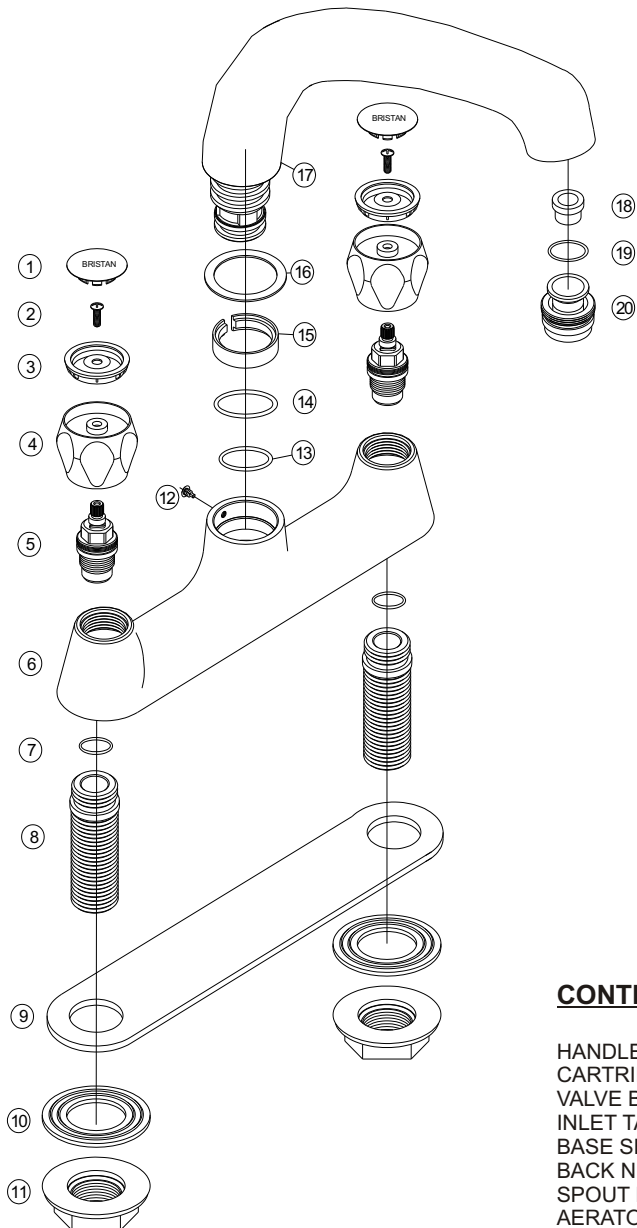
**VAL DSM C 6 CD (6" LEVERS)  
VAL DSM C CD  
VAX DSM C (Supplied with Cross  
Handles).**



**CONTENTS**

HANDLE & INDICE KIT	(1-4)
CARTRIDGE	(5)
VALVE BODY	(6)
INLET TAIL KIT	(7-8)
BASE SEAL	(9)
BACK NUT KIT	(10-11)
SPOUT KIT	(12-17)
AERATOR KIT	(18-20)

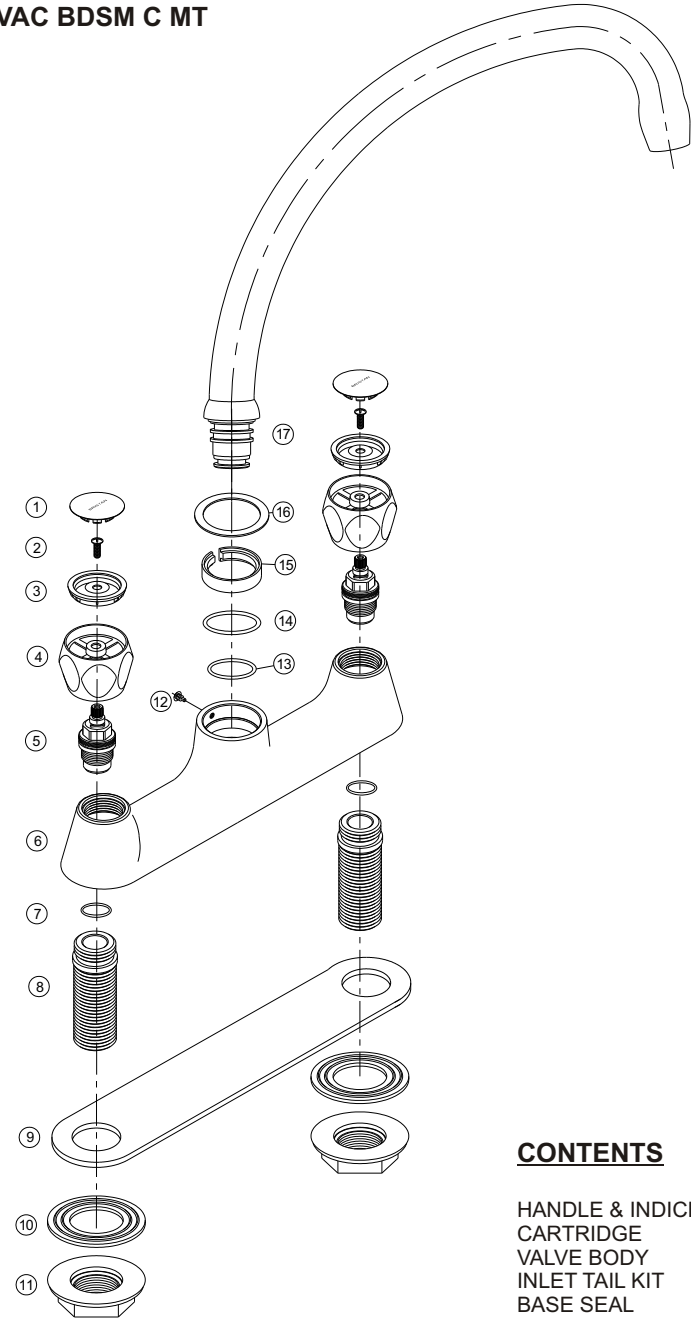
**VAC DSM C MT**  
**VAC DSM C NH(NO HEAD)**(Supplied  
 with no handles fitted. Handles  
 purchased separately.



**CONTENTS**

- |                     |         |
|---------------------|---------|
| HANDLE & INDICE KIT | (1-4)   |
| CARTRIDGE           | (5)     |
| VALVE BODY          | (6)     |
| INLET TAIL KIT      | (7-8)   |
| BASE SEAL           | (9)     |
| BACK NUT KIT        | (10-11) |
| SPOUT KIT           | (12-17) |
| AERATOR KIT         | (18-20) |

**VAC BDSM C MT**



**CONTENTS**

- |                     |         |
|---------------------|---------|
| HANDLE & INDICE KIT | (1-4)   |
| CARTRIDGE           | (5)     |
| VALVE BODY          | (6)     |
| INLET TAIL KIT      | (7-8)   |
| BASE SEAL           | (9)     |
| BACK NUT KIT        | (10-11) |
| SPOUT KIT           | (12-17) |