

# BRISTAN

## Installation Instructions & User Guide

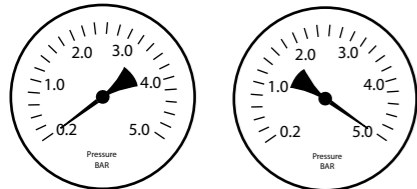
Please leave these instructions with the end user

Product Code: PM SHXMMCTFF C (D2)

### Specifications

#### Working Pressures

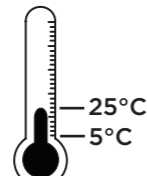
Min: 0.2 bar Max: 5.0 bar



Maximum Static Pressure: 10.0 bar

#### Inlet Water Temperature

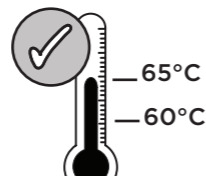
##### Cold Water Supply



Min: 5°C Max: 25°C



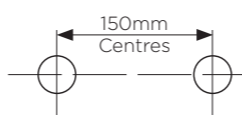
##### Hot Water Supply



60-65°C Recommended

**IMPORTANT**  
The inlet hot water must be at least 10°C above the required blend temperature.

#### Inlet Dimensions



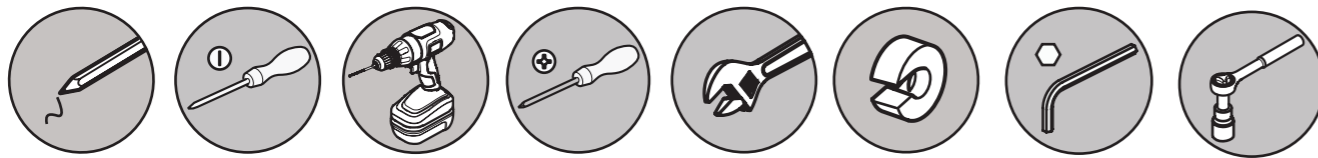
#### Inlet Connections



#### TMV2 Designation

HP-S & LP-SE

### Tools You'll Need



Pencil Flat head Screwdriver Drill Cross head Screwdriver Spanner Pipe Cutter Hexagonal Keys Socket Spanner

### Prior to Installation

All products manufactured and supplied by Bristan are safe to use provided that they are installed, operated and receive regular maintenance in accordance with these instructions.

This product needs to be installed in accordance with, and meet the requirements of the Water Supply (Water Fittings) Regulations 1999 and current by-laws. For full Installation Requirements & Notes (IRN) please visit [wras.co.uk/directory](http://wras.co.uk/directory).

Isolation valves must be fitted to the inlet water supplies to ensure ease of future maintenance.

Before installing this product the water supply must be thoroughly flushed in order to remove any swarf, solder etc.

This product must not be modified in any way as this will invalidate the guarantee.

Full access must be made available for future maintenance/servicing purposes.

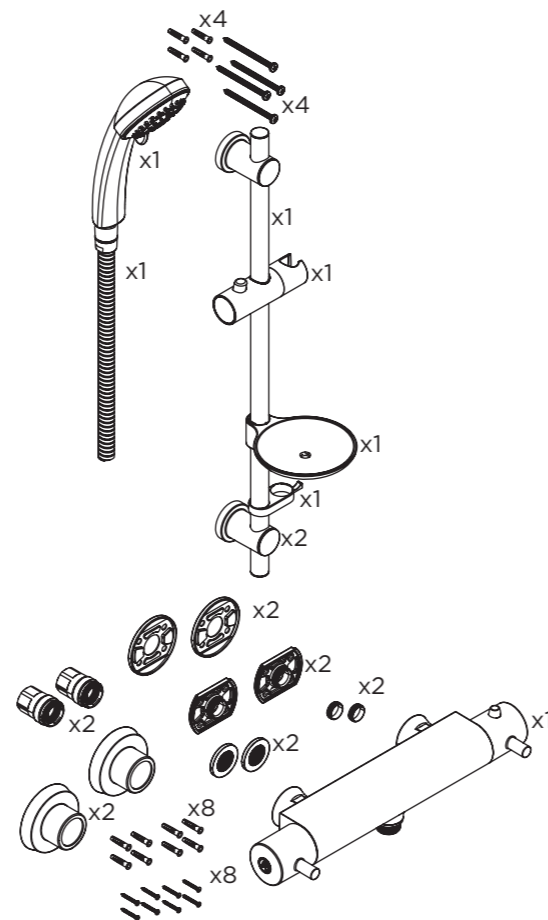
Before drilling into walls, check that there are no hidden electrical wires, cables or water supply pipes. This can be checked with the aid of an electronic detector.

If power tools are used do not forget to:  
- Wear eye protection  
- Unplug equipment after use

If in doubt, contact a registered plumber or your Local Water Authority or the Secretary of the Institute of Plumbing, address as follows:-

The Institute of Plumbing,  
64 Station Lane,  
Hornchurch,  
Essex,  
RM12 6NB, Tel: 01708 472791

### Pack Contents

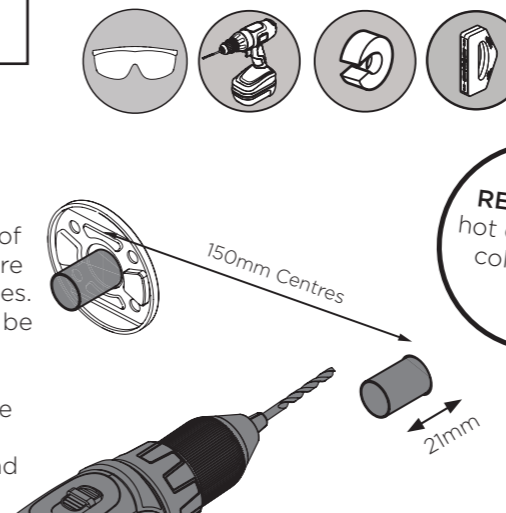


### Installation

1

Identify the required position of the valve and prepare the water supply pipes. Supply pipes should be 150mm apart.

Using the backplate supplied with the wallmount, mark and drill holes.



2

Secure the rubber backplate and backplate into place.

3

Secure the isolator onto the backplate ensuring the olive is positioned over the pipework correctly.

4

Push shrouds to the back of the wall outlet, securing them against the rubber fixing plate

5

**REMEMBER**  
To service your product!

Insert filter, washer and secure the shower to the wall mount.

### Isolation

1

Remove the concealing cap from the shroud.

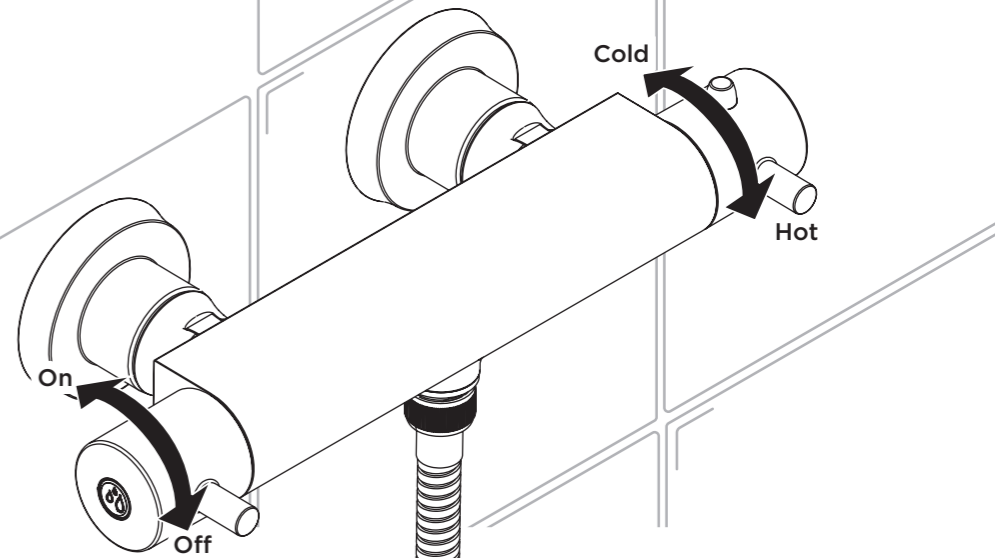
2

Rotate the shroud until the opening aligns with the isolation screw.

Turn the screw to isolate the water Reverse the process when turning the water back on.

### Operation

**IMPORTANT**  
Please refer to the TMV booklet for commissioning and testing guidance.



### Temperature Setting

- Turn the shower on to the maximum temperature, letting the temperature stabilise.
- Remove the cap, screw and temperature handle.
- Turn cartridge spindle clockwise to decrease the temperature. Turn cartridge spindle anti-clockwise to increase the temperature.
- Reverse steps 1-2 to reinstall the cartridge and handle.

### Riser Installation

- Use the assembled riser to mark the desired position on the wall. Remove the brackets, mark holes on wall and drill.
- Insert wall plugs. Secure the top bracket using screws and push cap onto bracket.
- Slide soap dish, hose retainer & handset holder onto the riser rail.
- Slide the top of the riser through the bottom of the bracket.
- Insert wall plugs & slide bottom bracket onto rail so the holes align. Fix rail with screws and push cap onto bracket.
- Slide hose through hose retainer before attaching the handset to the shower.

### Maintenance - Cartridge Cleaning

- Turn the temperature handle to the maximum temperature. Remove temperature and flow handles.
- Unscrew the flow valve.
- Remove adaptor, nut and cartridge.
- Remove O-rings and soak all components in de-scaler. Wash off in clean water. Examine all seals and replace if needed. Use WRAS approved silicon based grease on all seals.
- Replace cartridge and turn the spindle anti-clockwise to maximum temperature.
- Replace nut and adaptor, ensure the raised side is facing towards the back of the valve.
- Turn cartridge spindle clockwise to decrease the temperature. Turn cartridge spindle anti-clockwise to increase the temperature.
- Slide handle onto adaptor and turn clockwise until you meet resistance.
- Reverse steps 1-2 to reinstall the valve and secure handles.

### Troubleshooting


Symptom	Cause	Remedy
No flow or low flow rate	Partially closed isolation valve.	Open isolation valve.
	Instantaneous water heater cycles on and off as flow rate or pressure is too low.	Increase water flow rate or pressure through system.
	Head of water is below the minimum distance required.	2 meters minimum required.
	Hot or cold water being drawn off elsewhere causing pressure changes or instantaneous boiler temperature changes.	Do not use other water outlets when using the shower.
	Airlock or partial blockage in the supply pipework.	Flush through pipework to ensure removal of debris and any airlocks.
Water dripping from shower	This is normal for a short time after using the shower.	This is caused by residual water tension, the build up of water in the shower.
	If water continues to drip, possibly due to the cartridge	Remove cartridge and clean, refer to 'Maintenance' section before starting any maintenance.
Shower does not turn on	Closed isolation valve.	Open isolation valve.
	Mains water supply turned off.	Turn on mains water supply.

### Servicing Intervals

To reduce the build up of limescale and to ensure this shower works to its maximum performance we recommend this shower is serviced every 6-12 months depending on the hardness of your water.

### Spare Parts

To replace any spare parts for your shower why not scan the below QR Code and search for your product.




At Bristan, we want to make things as easy as possible for our customers. That's why we offer solid guarantees on all our products, effective from the date of purchase, to give you peace of mind.

To start your free guarantee simply scan the QR code and register your product. Alternatively visit [www.bristan.com/register](http://www.bristan.com/register).

For any other queries, please call our Customer Service on 0330 026 6273 where our expert team of advisors will be able to offer you any help and advice.

For full guarantee terms and conditions visit [www.bristan.com/guarantees](http://www.bristan.com/guarantees).



*We Know & We Care*