

BRISTAN

Installation Instructions & User Guide

Please leave these instructions with the end user

Product Code: GRAB H RANGE (D2)

Specifications

Max Rated Load
120kg

DOC-M Requirements

IMPORTANT
If the rail is being used in a care home or nursing environment; it will need to be installed according to DOC-M standards. Please scan the QR code or visit the gov.uk website to review the latest DOC-M guidelines before installing.



Tools You'll Need



Prior to Installation

All products manufactured and supplied by Bristan are safe to use provided that they are installed, operated and receive regular maintenance in accordance with these instructions.

Before starting any installation please consider the following:

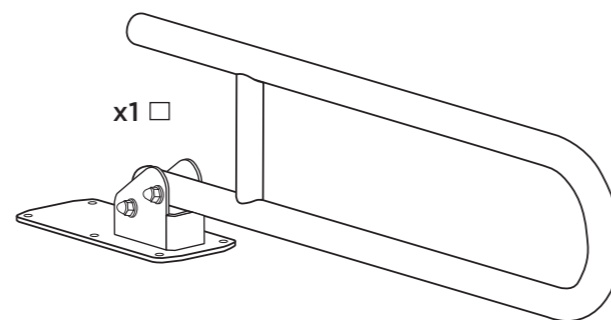
- Remove all packaging and check the components for damage.
- Before drilling into walls, check that there are no hidden electrical wires, cables or water supply pipes. This can be checked with the aid of an electronic detector.
- If power tools are used do not forget to:
 - Wear eye protection
 - Unplug equipment after use

This product must not be modified in any way as this will invalidate the guarantee. Improper installation may cause accidents and injury to vulnerable people.

If in doubt, contact a registered plumber, your Local Water Authority or the Secretary of the Institute of Plumbing, address as follows:-

The Institute of Plumbing,
64 Station Lane,
Hornchurch,
Essex,
RM12 6NB, Tel: 01708 472791

Pack Contents



Fixings are not supplied with this product to allow the correct fixing method to be selected for the wall substrate. Consult a fixing manufacturer if unsure of which type of fixings to use.
6x 8mm fixings are required.

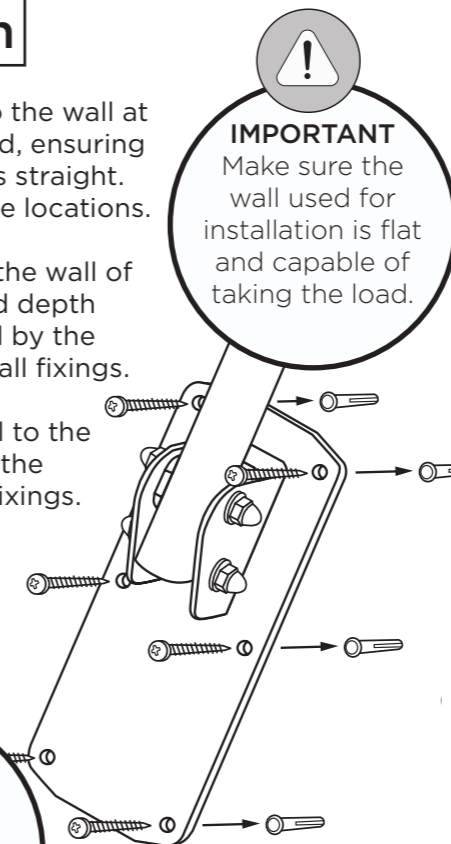
Installation

Offer the rail up to the wall at the height required, ensuring the fixing plate is straight. Mark the fixing hole locations.

Drill the holes in the wall of a diameter and depth recommended by the supplier of the wall fixings.

Secure the rail to the wall using the appropriate fixings.

IMPORTANT
Always clean any dust from installation; especially off the hinged mechanism.



IMPORTANT
Make sure the wall used for installation is flat and capable of taking the load.

Testing & Operation

This Hinged Support Rail provides a safe hand hold to:

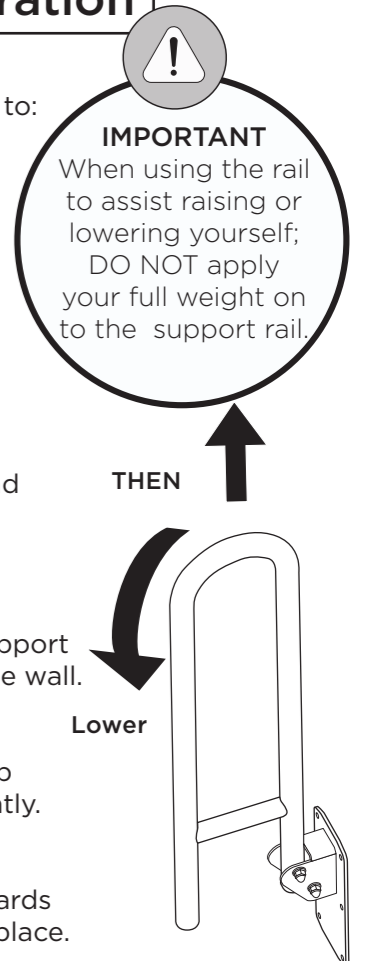
- support standing and sitting down
- a firm grip when transferring from one position to another
- balance when standing or dressing

Before first use with an end user, complete a number of cycles of operation to check functionality.

Check that the Hinged Support Rail is securely fitted to the wall.

To Lower:
Unlock the rail by lifting up before lowering down gently.

To Raise:
Slowly lift the arm up towards the wall until it locks into place.



General Cleaning

Bristan products are made from premium materials, with hand polished, PVD, EPD or electroplated finishes.

Your product should be regularly cleaned with warm water, a mild pH-neutral liquid soap, and polished with a soft cloth. Any residues from soap, toothpaste, shampoos and shower gels can cause blemishes if not rinsed off straight after use.

Household bleaches and cleaners contain harsh chemicals and may damage the surface finish. Avoid using abrasive cloths, scouring pads, scrub sponges, steel wool or anything similar.

Contact Us

Bristan Group Ltd.

UK: Bristan Group, B78 1SG.

EU: Masco Europe S.à.r.l.
14 Rue Strachen
6933 Mensdorf
Luxembourg

Customer Service: +44330 026 6273

Web: www.bristan.com

Email: enquire@bristan.com

A Masco Company

BRISTAN

Our Guarantee

At Bristan, we want to make things as easy as possible for our customers. That's why we offer solid guarantees on all our products, effective from the date of purchase, to give you peace of mind.

To start your free guarantee simply scan the QR code and register your product. Alternatively visit www.bristan.com/register.

For any other queries, please call our Customer Service on 0330 026 6273 where our expert team of advisors will be able to offer you any help and advice.

For full guarantee terms and conditions visit www.bristan.com/service-centre/guarantees.

