

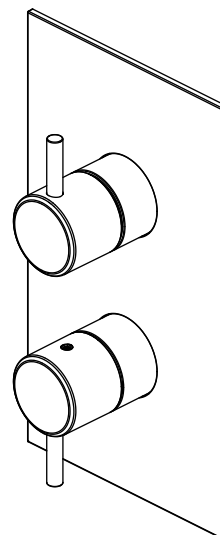
INSTALLATION INSTRUCTIONS

Hoxton Shower Mixer with Diverter Chrome / Matt Black/ Brushed Brass

HOX.005CP/ HOX.005MB/ HOX.005BB

Hoxton Shower Mixer without Diverter Chrome / Matt Black/ Brushed Brass

HOX.006CP/ HOX.006MB/ HOX.006BB

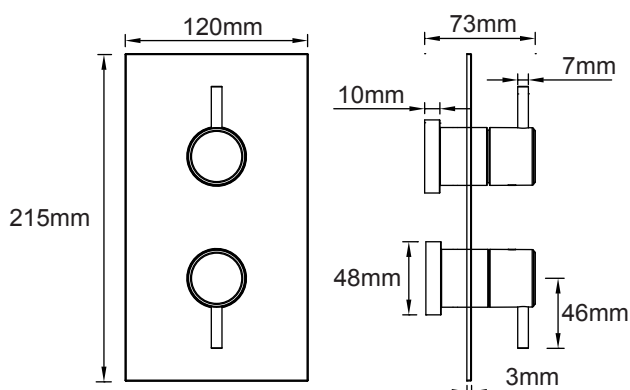


Important

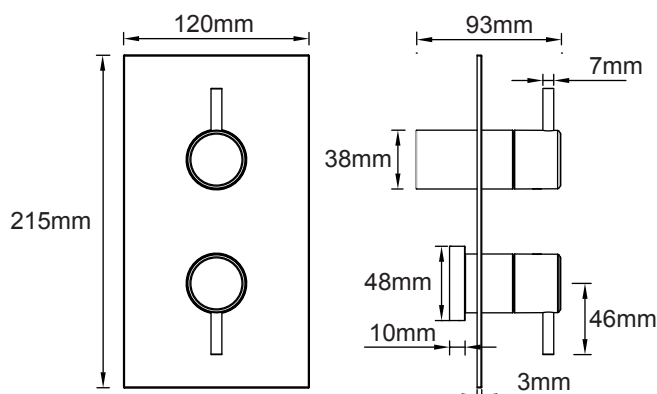
- We recommend that this product is installed by a qualified professional contractor. Such as a plumber who is certified by NVQ (National Vocational Qualification) or SNVQ (Scottish National Vocational Qualification) Level 3.
- Please check this product immediately to ensure that it has not been damaged and is complete. Before installation, please make sure this product is the correct model and you have all the parts required for installation and using.
- Please read these instructions carefully and keep it for future reference

Dimension

HOX.005 CP/MB/BB



HOX.006 CP/MB/BB



Installation of HOX.005 trim sets (needs to be used with HOX.005V)

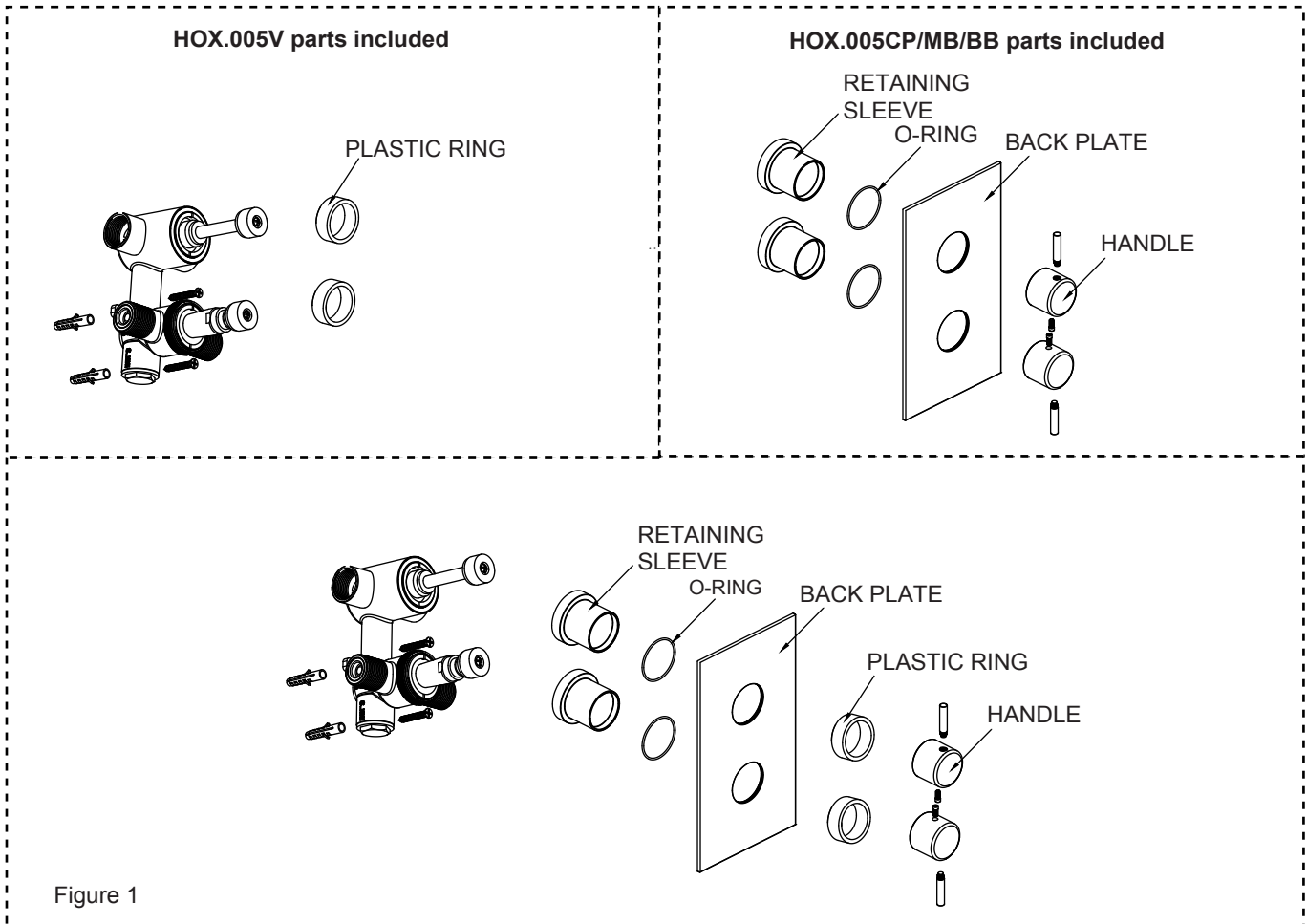


Figure 1

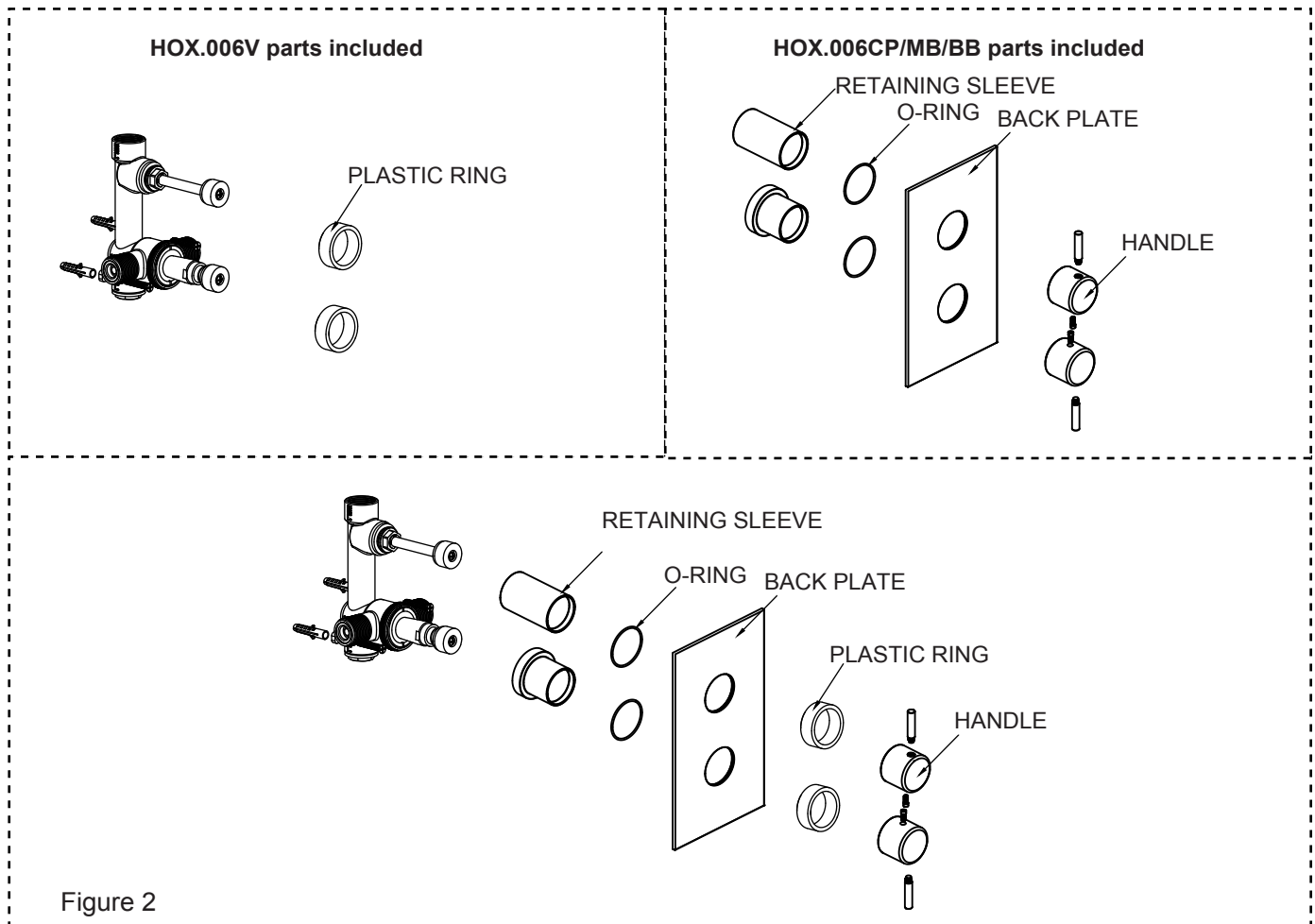
IMPORTANT:

For valve body installation, please refer to instructions included with HOX.005V.

For HOX.005 trim sets, please follow below steps to install:

- Parts should be assembled in sequence illustrated by Figure 1.
- Lock the retaining sleeve to the valve body.
- Apply a narrow layer of silicone sealant around the retaining sleeve and carefully press in place.
- Install O-ring into holes of the back plate and slide the back plate onto the retaining sleeve. (O-ring should be applied with soapy water or plumber grade grease for easy assembly.)
- Apply a narrow bead of silicone sealant around the back edge of the back plate and carefully press into position.
- Assemble the handles, the plastic ring included in HOX.005V must be placed between the sleeve and the handle.

Installation of HOX.006 trim sets (needs to be used with HOX.006V)



IMPORTANT:

For valve body installation, please refer to instructions included with HOX.006V.

For HOX.006 trim sets, please follow below steps to install:

- Parts should be assembled in sequence illustrated by Figure 2.
- Lock the retaining sleeve to the valve body.
- Apply a narrow layer of silicone sealant around the retaining sleeve and carefully press in place.
- Install O-ring into holes of the back plate and slide the back plate onto the retaining sleeve. (O-ring should be applied with soapy water or plumber grade grease for easy assembly.)
- Apply a narrow bead of silicone sealant around the back edge of the back plate and carefully press into position.
- Assemble the handles, the plastic ring included in HOX.006V must be placed between the sleeve and the handle.

Maintenance

We do NOT recommend you use any household cleaners to clean the product because these cleaners change substance or formula too frequently. The product should be always cleaned only with soapy water and rinsed with clean water and dried with a soft cloth.