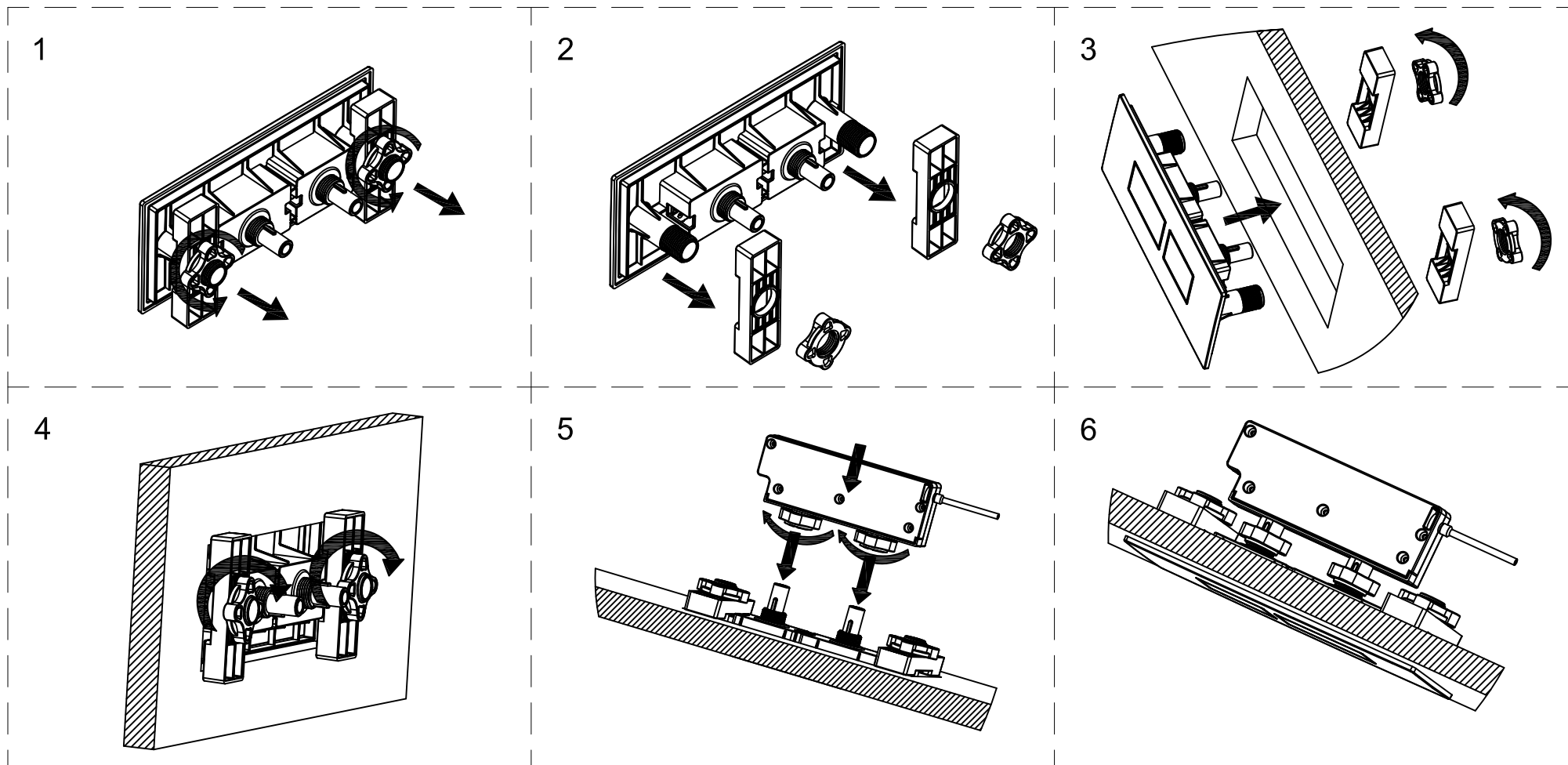


Installation Instructions



Remove the original flush button supplied with the cistern by pressing down on the spring clip, and replace it by HOX.030 following below steps:

1. Unscrew the fixing nut and insert the flush button through the cabinet hole.
2. Tighten the flush button with the fixing nut clamping the cabinet between button and nut.
3. From inside press down on the spring clip and insert the box onto the flush button.
4. Make sure that the spring clip is engaged. If not press again.