





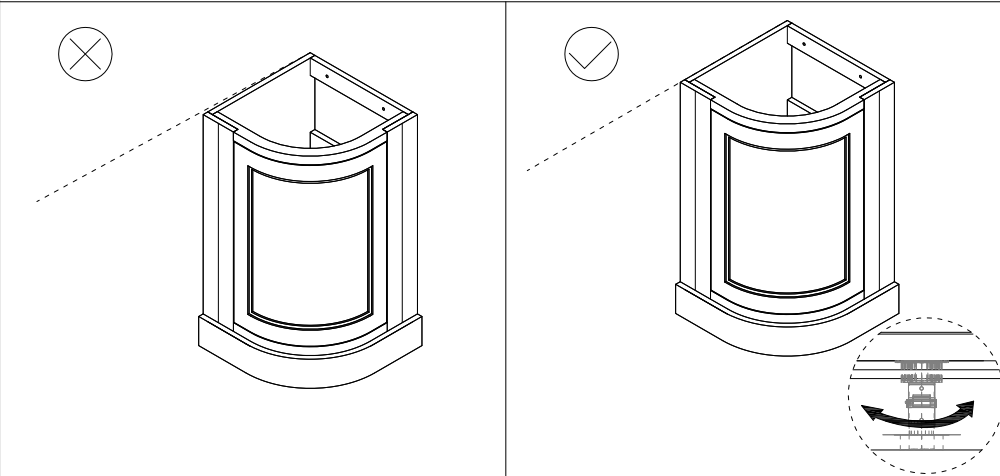


**IMPORTANT:** This unit must be securely fixed to a wall. Ensure that the top is horizontal before marking the wall for fixing. The wall fixings supplied may not be suitable for your installation. You may need to source alternatives depending on the material and strength of the wall you are fixing to. Buffers are supplied to stop the crash of the doors. These can be fitted if necessary.

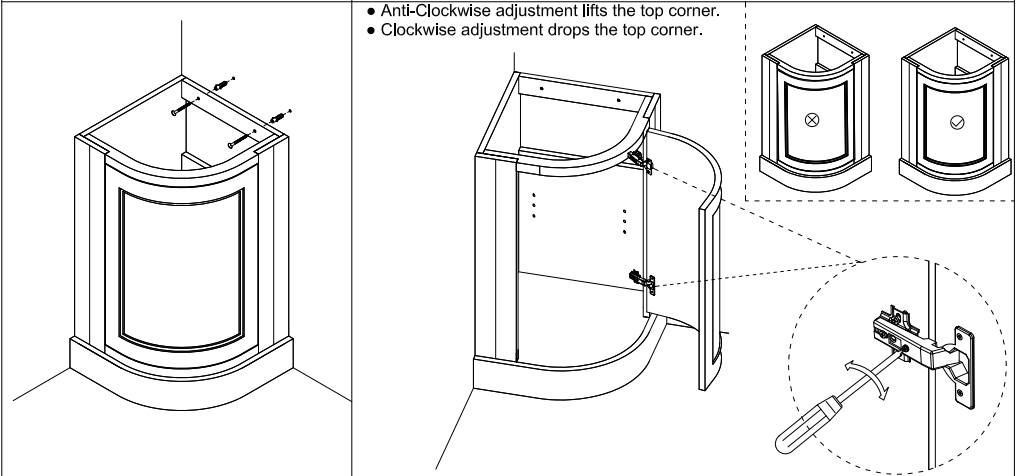
**Parts Supplied:**

|   |   |   |   |   |   |
|---|---|---|---|---|---|
|  |  |  |  |  |  |
| 2   | 2   | 1   | 4   | 4   | 1   |

• Place the cabinet in final position, and check for level. If not, please adjust the feet at the bottom of the cabinet.

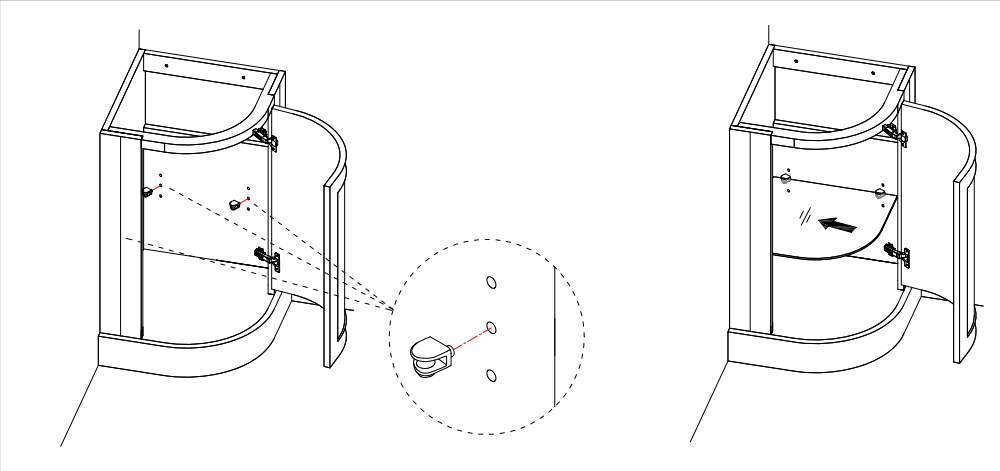



• Fix the cabinet onto the wall.



• Check the door for level. If not, please adjust the screw on the hinge.  
• Anti-Clockwise adjustment lifts the top corner.  
• Clockwise adjustment drops the top corner.

• Please remove the protecting film before installing the glass shelf.  
Please plug in plastic clamp in the proper position, then insert the glass shelf.



 Place silicon seal to top surfaces where basin sits, and back edge of basin to wall. This is to prevent water collecting between the worktop/basin and the cabinet.

