

Cromford - Traditional 2TH Basin & Pedestal

Product Specification

Product Code: CRMK003
 Description: Traditional 2TH Basin & Pedestal
 Barcode 1: **Basin:** 5016314101000
 Barcode 2: **Pedestal:** 5016314301004
 Construction Material: Ceramic
 Category: Ceramics
 Product Weight (KG): 25.5Kg Combined
 Standards: **Wash Basin:** BS EN 14688:2015



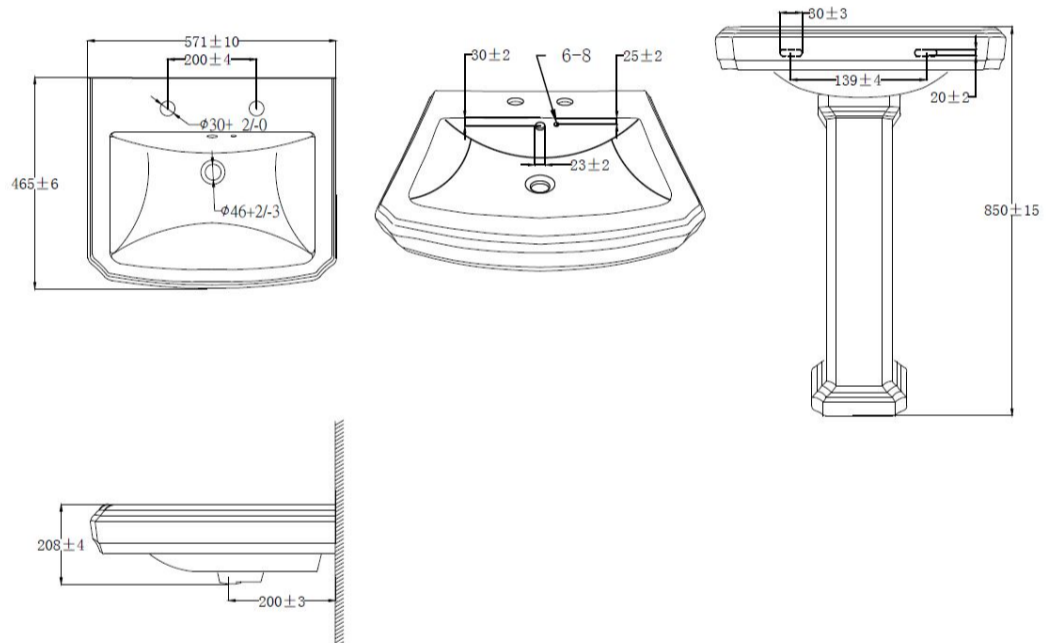
Features & Benefits

- Traditional design
- Supper Deep Basin with overflow
- Tap Holes: 2 with Chain Anchor Point
- Slotted Waste needed

Additional Information

- Other Items available from this range:

CRMK001 Traditional Close Coupled Pan & Cistern
 CRMK002 Traditional 1TH Basin & Pedestal
 CRMK004 Traditional Low Level Cistern and Pan
 CRMK005 Traditional High Level Pan and Cistern
 BTW003 Traditional Back to Wall Pan



Additional Extras You May Also Like...

Taps

ALB004 Albert Basin Taps - Without Waste
 TIM004 Time Basin Taps - Without Waste

Wastes

PLGC01 Plug & Chain Basin Waste - Slotted



Guarantee:

Care must be taken on installation to avoid damage, we provide a lifetime guarantee against faulty workmanship or materials (excluding serviceable parts) providing they have been installed, cared for and used in line with our instructions.