

## Basin Mixer Installation Guide

Step 1 – Insert metal spigots into tap

Step 2 – Insert flexi tails into the tap. Only hand tighten. Do not let the flexi tails coil. Do not loop them. Do not over tighten.

Step 3 – Place the tap on the basin. Make sure the baseplate and 'o'ring are situated correctly to seal around the tap hole.

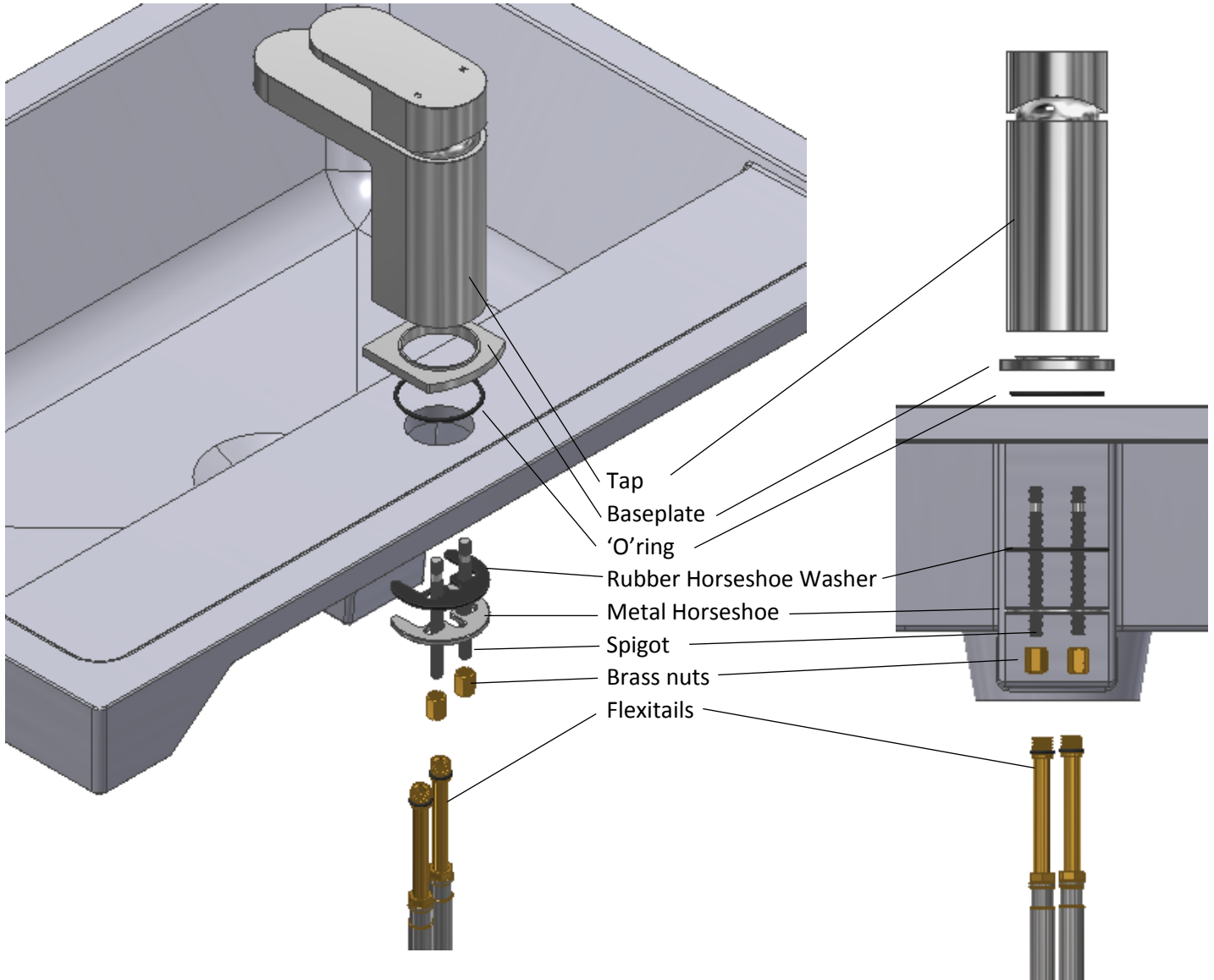
Step 4 – On the underside of the basin place the rubber horseshoe, metal horseshoe then the brass nuts on to the spigots.

Step 5 – Tighten the brass nuts using an appropriate box spanner or adjustable spanner.

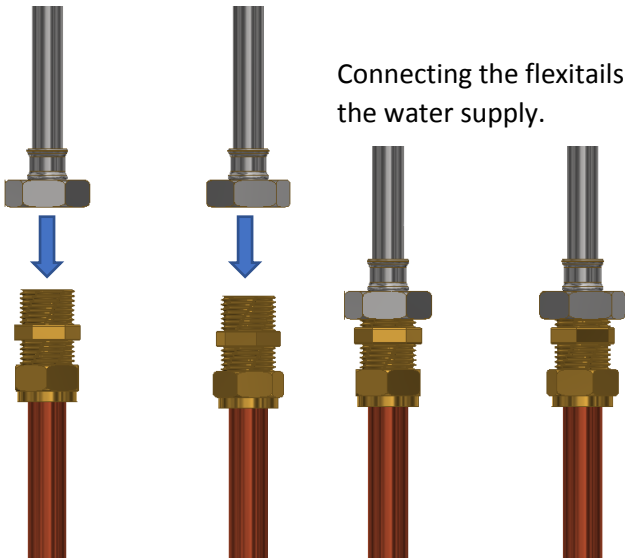
Step 6 – Connect hot feed to hot tail and tighten using spanners.

Step 7 - Do the same for the cold side (the tap from front on - cold is right, hot is left.)

Step 8 - Turn the water on to test for leaks.



### Connecting the flexitails to the water supply.



#### Customer Care Guide

To clean your tap use water or soapy water only. Do not use abrasive cleaners.

Do not allow limescale to build up in hard water areas

Do not use abrasive products on any surfaces

Bathroom products are vulnerable to acid attack and some household consumables such as hair dye, disinfectants, denture cleaners etc can contain such acids. Contact with these materials should be avoided.

This installation guide is for illustration purposes and may not be an exact representation of the physical product.

This is a generic instruction guide. There is likely to be a discrepancy between this guide and that of the actual product. The latter should be taken as standard.

For full terms and conditions, please refer to the manufacturer

If further assistance is required, please contact your retailer or alternatively call our customer services team on 01924 666590