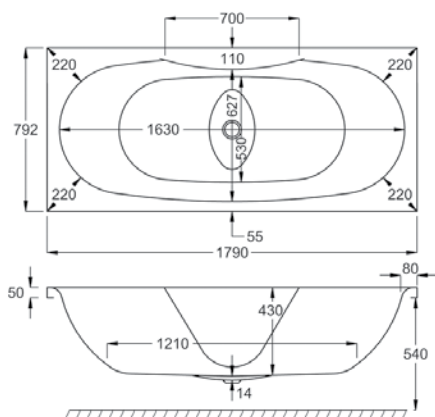


EQUATION

L 1800MM

W 800MM

	5MM	CARRONITE
EQUATION	✓	✓
L-SHAPED PANEL 1800x800x540	-	✓
FRONT PANEL 1800x540	✓	✓
END PANEL 800x540	✓	✓



Carronite



Panel



Whirlpool

WATER CAPACITY

233 LTR

This measurement is taken to the overflow

WHIRLPOOL COMPATIBLE

C-LENDIA SYSTEMS

1, 2, 3, 4, 5, 6

KIT REFERENCES

STANDARD - AK-03

CARRONITE - AK-03-C